



DCM™ DC-DC Converter

DCM290P138T600A4E



Isolated, Regulated DC Converter

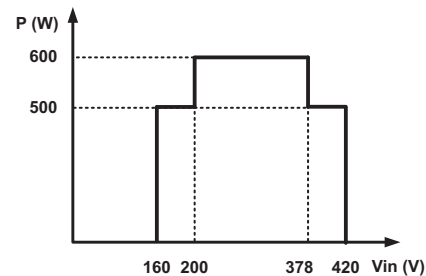
Features

- Isolated, regulated DC-DC converter
- Up to 600 W, 43.5 A continuous
- 93% peak efficiency
- 1239 W/in³ Power density
- Wide extended input range 160 – 420 Vdc
- Safety Extra Low Voltage (SELV) 13.8 V Nominal Output
- 4242 Vdc isolation
- ZVS high frequency (MHz) switching
 - Enables low-profile, high-density filtering
- Optimized for array operation
 - Up to 8 units – 4800 W
 - No power derating needed
 - Sharing strategy permits dissimilar line voltages across an array
- Fully operational current limit
- OV, OC, UV, short circuit and thermal protection
- 4623 through-hole ChiP package
 - 1.886" x 0.898" x 0.286"
(47.91 mm x 22.8 mm x 7.26 mm)

Typical Applications

- Transportation
- Industrial Systems
- Electric Vehicle (EV) / Hybrid Electric Vehicle (HEV)
- On-board Power

Product Ratings						
Operating Input (V)			Output Power Max (W)	Output (V) set point 100% load, 25°C		
Min	Nom	Max		Min	Nom	Max
200	290	378	600	11.5	13.8	15.5
160		420	500			

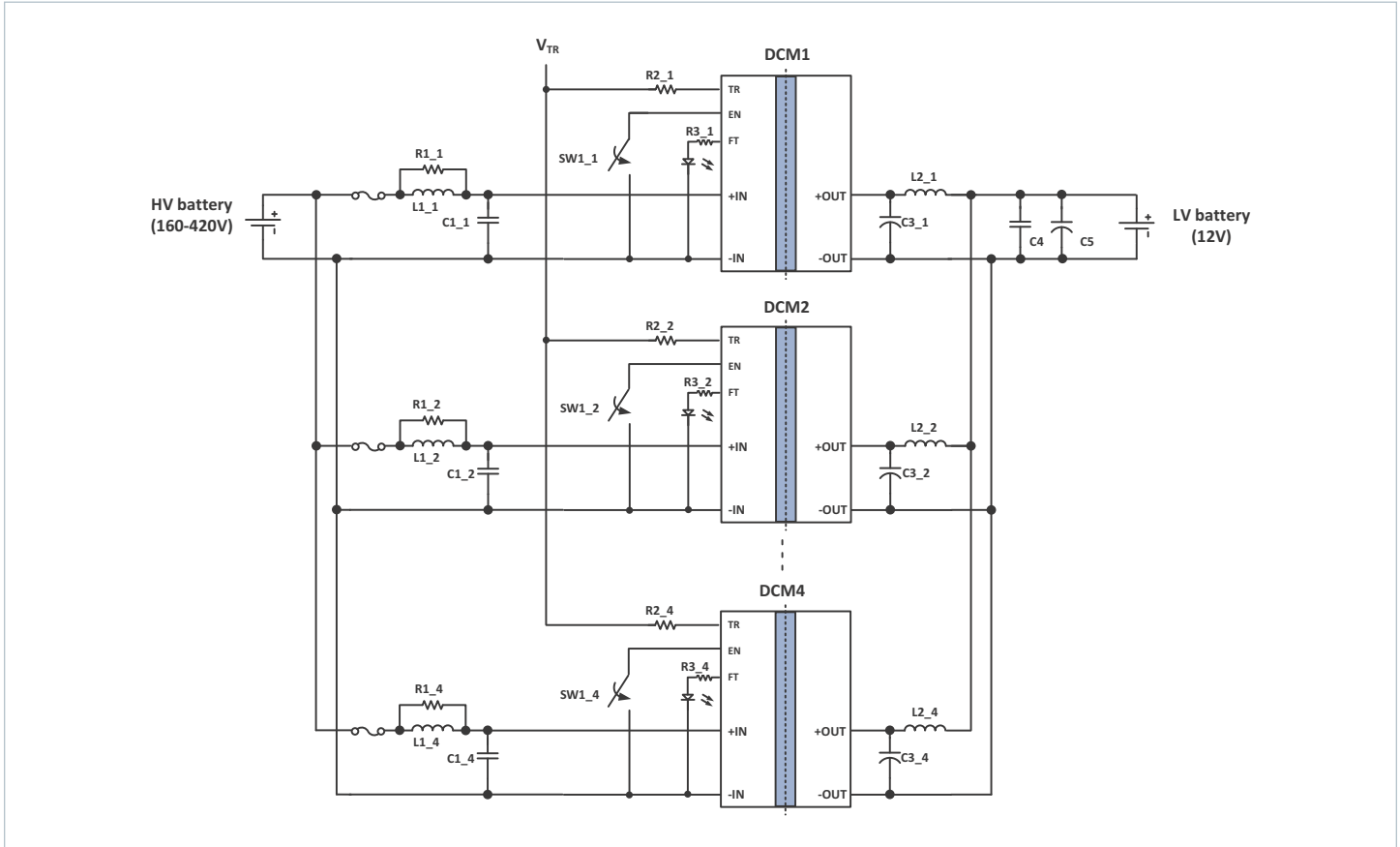


Product Description

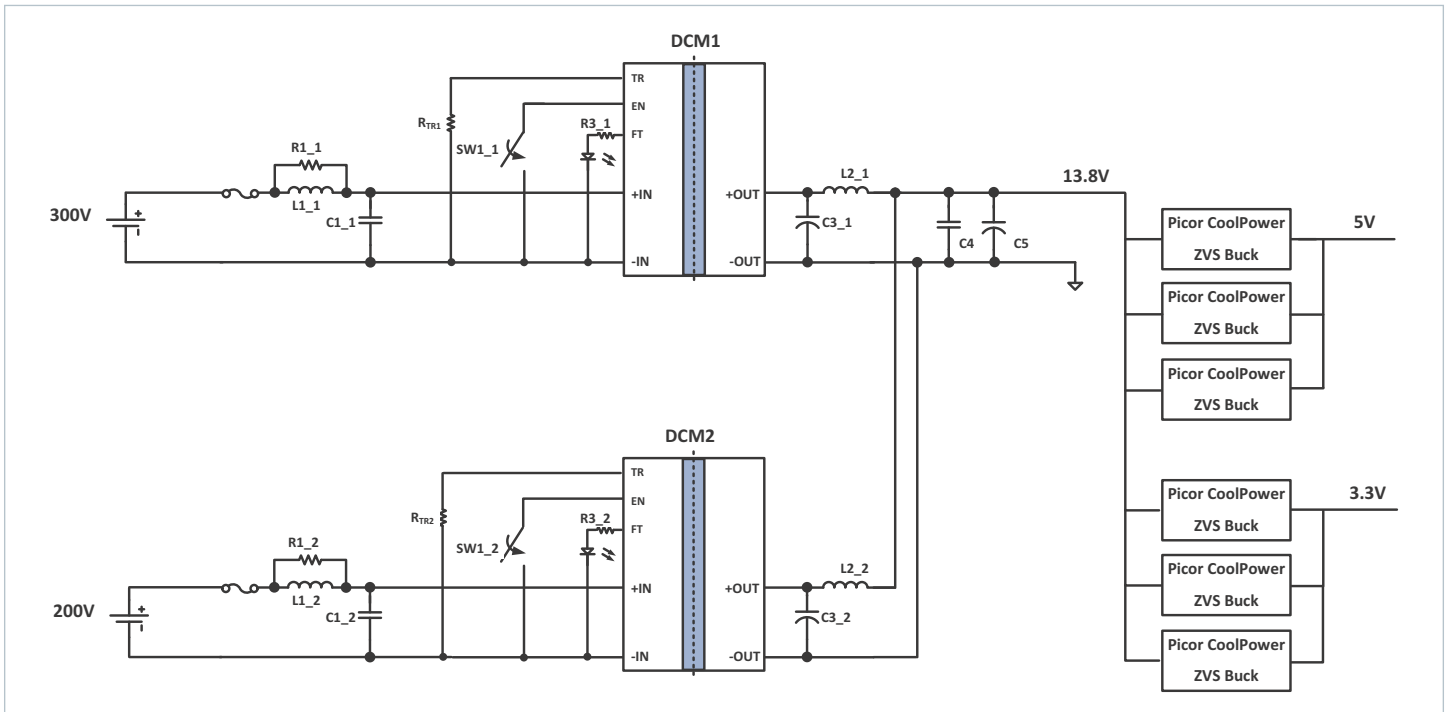
The DCM Isolated, Regulated DC Converter is a DC-DC converter, operating from an unregulated, wide range input to generate an isolated 13.8 Vdc output. With its high frequency zero voltage switching (ZVS) topology, the DCM converter consistently delivers high efficiency across the input line range. Modular DCM converters and downstream DC-DC products support efficient power distribution, providing superior power system performance and connectivity from a variety of unregulated power sources to the point-of-load.

Leveraging the thermal and density benefits of Vicor's ChiP packaging technology, the DCM module offers flexible thermal management options with very low top and bottom side thermal impedances. Thermally-adept ChiP based power components enable customers to achieve cost effective power system solutions with previously unattainable system size, weight and efficiency attributes, quickly and predictably.

Typical Application

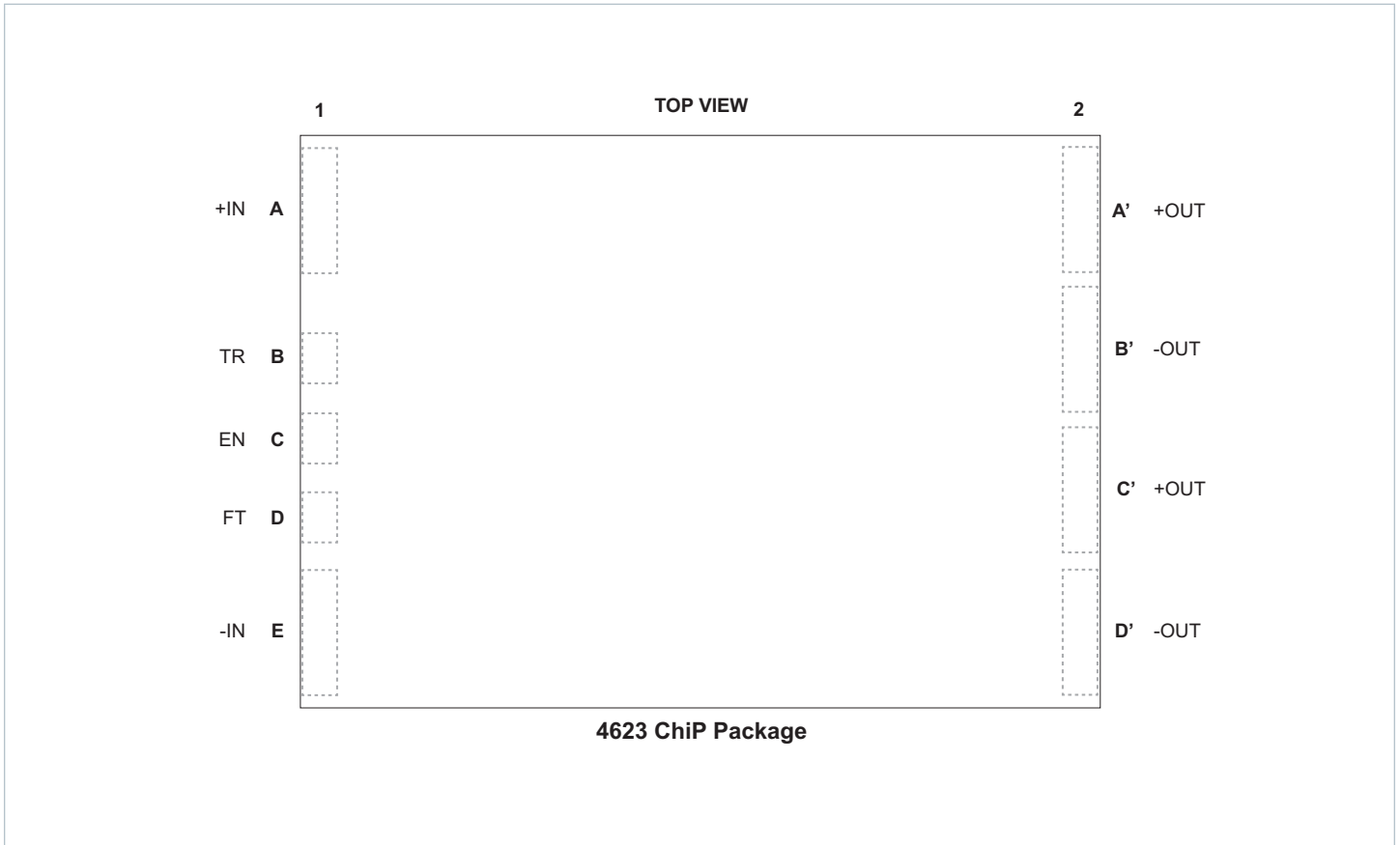


Typical Application 1: DCM290P138T600A4E for EV/HEV applications



Typical Application 2: DCM290P138T600A4E + Picor Point-of-Load

Pin Configuration



Pin Descriptions

Pin Number	Signal Name	Type	Function
A1	+IN	INPUT POWER	Positive input power terminal
B1	TR	INPUT	Enables and disables trim functionality. Adjusts output voltage when trim active.
C1	EN	INPUT	Enables and disables power supply
D1	FT	OUTPUT	Fault monitoring
E1	-IN	INPUT POWER RETURN	Negative input power terminal
A'2, C'2	+OUT	OUTPUT POWER	Positive output power terminal
B'2, D'2	-OUT	OUTPUT POWER RETURN	Negative output power terminal

Part Ordering Information

Device	Input Voltage Range	Package Type	Output Voltage x 10	Temperature Grade	Output Power	Revision	Version
DCM	290	P	138	T	600	A4	E
DCM = DCM	290 = 160 to 420 V	P = ChiP TH	138 = 13.8 V	T = -40 to 125°C	600 = 600 W	A4	Analog Control Interface Version

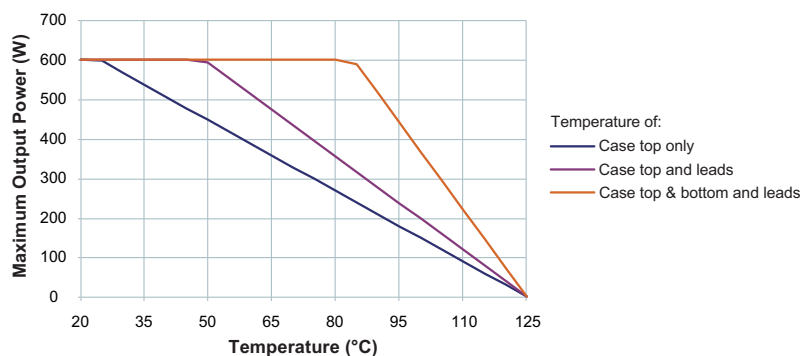
Standard Models

Part Number	V _{IN}	Package Type	V _{OUT}	Temperature	Power	Version
DCM290P138T600A4E	160 to 420 V	ChiP TH	13.8 V (11.5 to 15.5 V)	T = -40 to 125°C	600 W	Analog Control Interface Version

Absolute Maximum Ratings

The absolute maximum ratings below are stress ratings only. Operation at or beyond these maximum ratings can cause permanent damage to the device. Electrical specifications do not apply when operating beyond rated operating conditions.

Parameter	Comments	Min	Max	Unit
Input Voltage (+IN to -IN)	Continuous	-0.5	460	V
	100 ms with a maximum duty cycle of 10%	-0.5	550	V
Input Voltage Slew Rate		-1	1	V/μs
TR to - IN		-0.3	3.5	V
EN to -IN		-0.3	3.5	V
FT to -IN		-0.3	3.5	V
			5	mA
Output Voltage (+Out to -Out)		-0.5	25	V
Dielectric withstand (input to output)	Reinforced insulation	4242		Vdc
Temperature				
Operating Internal		-40	125	°C
Storage		-40	125	°C
Average Output Current			51	A



Thermal Specified Operating Area: Max Output Power vs. Case Temp, Single unit at minimum full load efficiency

Electrical Specifications

Specifications apply over all line in $V_{IN-EXTENDED}$, trim and load conditions, internal temperature $T_{INT} = 25^{\circ}\text{C}$, unless otherwise noted. **Boldface** specifications apply over the temperature range of $-40^{\circ}\text{C} < T_{INT} < 125^{\circ}\text{C}$.

Attribute	Symbol	Conditions / Notes	Min	Typ	Max	Unit
Power Input Specification						
Input Voltage Range, full power	V_{IN}		200	290	378	V
Input Voltage Range, extended	$V_{IN-EXTENDED}$	Module will only startup if input voltage is inside the range of V_{IN} . After startup, Module can then operate in the entire $V_{IN-EXTENDED}$ range	160	290	420	V
Inrush current (peak)	I_{INRP}	With maximum $C_{OUT-EXT}$, full resistive load			8.5	A
Input capacitance (internal)	C_{IN-INT}	Effective value at nominal input voltage		0.8		μF
Input capacitance (internal) ESR	$R_{CIN-INT}$	At 1 MHz		2.5		$\text{m}\Omega$
Input inductance (external)	L_{IN}	Differential mode, with no further line bypassing			10	μH
Input capacitance (external)	C_{IN-EXT}	Effective value at nominal input voltage	0.68			μF
No Load Specification						
Input power – disabled	P_Q	Nominal line, see Fig. 2		0.7	1.5	W
		Worst case line, see Fig. 2			2	W
Input power – enabled with no load	P_{NL}	Nominal line, see Fig. 3		2	3	W
		Worst case line, see Fig. 3			8.5	W
Power Output Specification						
Output voltage set point	$V_{OUT-NOM}$	$V_{IN} = 290\text{ V}$, trim inactive, at 100% Load, $T_{INT} = 25^{\circ}\text{C}$	13.66	13.8	13.94	V
Output voltage trim range	$V_{OUT-TRIMMING}$	Trim range over temp, with > 5% rated load. Specifies the Low, Nominal and High Trim conditions.	11.5	13.8	15.5	V
Output voltage load regulation	$\Delta V_{OUT-LOAD}$	Linear load line. Output voltage increase from full rated load current to no load (Does not include light load regulation). See Fig. 5 and Sec. Design Guidelines	0.6503	0.7263	0.8032	V
Output voltage light load regulation	ΔV_{OUT-LL}	0% to 5% Load, additional V_{OUT} relative to calculated load line point; see Fig. 5 and Sec. Design Guidelines	0.0		2.3	V
Output voltage temperature coefficient	$\Delta V_{OUT-TEMP}$	Nominal, linear temperature coefficient, relative to $T_{INT} = 25^{\circ}\text{C}$. See Fig. 4 and Sec. Design Guidelines		-1.84		$\text{mV}/^{\circ}\text{C}$
V_{OUT} accuracy	$\%V_{OUT-ACCURACY}$	The total output voltage setpoint accuracy from the calculated ideal V_{out} based on load, temp and trim. Excludes ΔV_{OUT-LL}			2.00	%
Rated output power	P_{OUT}	Continuous, $V_{OUT} \geq 13.8\text{ V}$, $200\text{ V} \leq V_{IN} \leq 378\text{ V}$	600			W
Rated output current	I_{OUT}	Continuous, $V_{OUT} \leq 13.8\text{ V}$, $200\text{ V} \leq V_{IN} \leq 378\text{ V}$	43.5			A
Derated output power	$P_{OUT-DERATED}$	Continuous, $V_{OUT} \geq 13.8\text{ V}$, $160\text{ V} < V_{IN} < 200\text{ V}$ or $378\text{ V} < V_{IN} < 420\text{ V}$	500			W
Derated output current	$I_{OUT-DERATED}$	Continuous, $V_{OUT} \leq 13.8\text{ V}$, $160\text{ V} < V_{IN} < 200\text{ V}$ or $378\text{ V} < V_{IN} < 420\text{ V}$	36.2			A
Output current limit	I_{OUT-LM}	Of I_{OUT} max. Fully operational current limit	100	105	117	%
Current limit delay	$t_{IOUT-LIM}$	The module will power limit in a fast transient event		1		ms
Efficiency	η	Full Load, Nominal Line, trim inactive	92.9	93.6		%
		Full Load, over V_{IN} and temperature, trim inactive	91.5			%
		Full Load, over $V_{IN-EXTENDED}$ and temperature, trim inactive	91.0			%
		50% Load, over line, temperature and trim	90.0			%
Output voltage ripple	V_{OUT-PP}	Over all operating steady-state line, load and trim conditions, 20 MHz BW, with minimum $C_{OUT-EXT}$		500		mV

Electrical Specifications (cont.)

Specifications apply over all line in $V_{IN-EXTENDED}$, trim and load conditions, internal temperature $T_{INT} = 25^{\circ}\text{C}$, unless otherwise noted. **Boldface** specifications apply over the temperature range of $-40^{\circ}\text{C} < T_{INT} < 125^{\circ}\text{C}$.

Attribute	Symbol	Conditions / Notes	Min	Typ	Max	Unit
Power Output Specifications (Cont.)						
Output capacitance (internal)	$C_{OUT-INT}$	Effective value at nominal output voltage		72		μF
Output capacitance (internal) ESR	$R_{COUT-INT}$	At 1MHz		0.06		$\text{m}\Omega$
Output capacitance (external)	$C_{OUT-EXT}$	Electrolytic Capacitor preferred. Excludes component tolerances and temperature coefficient	1000		10000	μF
Output capacitance, ESR (ext.)	$R_{COUT-EXT}$	At 10 kHz, excludes component tolerances	10			$\text{m}\Omega$
Initialization delay	t_{INIT}	After input voltage first exceeds $V_{IN-INIT}$		25	40	ms
Output turn-on delay	t_{ON}	From rising edge EN, with V_{IN} pre-applied. See timing diagram		200		μs
Output turn-off delay	t_{OFF}	From falling edge EN. See timing diagram			600	μs
Start-up setpoint acquisition time	t_{SS}	Full load (soft-start ramp time) with minimum $C_{OUT-EXT}$		5.0		ms
V_{OUT} threshold for max rated load current	$V_{OUT-FL-THRESH}$	During startup, V_{OUT} must achieve this threshold before output can support full rated current			10.5	V
I_{OUT} at startup	$I_{OUT-START}$	Max load current at startup while V_{OUT} is below $V_{OUT-FL-THRESH}$	0.1			A
Monotonic soft-start threshold voltage	$V_{OUT-MONOTONIC}$	At startup, the DCM output voltage rise becomes monotonic with a minimum of 25% pre-load once it crosses $V_{OUT-MONOTONIC}$, standalone or as a member in an array			10.5	V
Minimum required disabled duration	$t_{OFF-MIN}$	This refers to the minimum time a module needs to be in the disabled state before it will attempt to start via EN			2	ms
Minimum required disabled duration for predictable restart	$t_{OFF-MONOTONIC}$	This refers to the minimum time a module needs to be in the disabled state before it is guaranteed to exhibit monotonic soft-start and have predictable startup timing			100	ms
Voltage deviation (transient)	$\%V_{OUT-TRANS}$	$C_{OUT-EXT} = \text{min}$; (10 \leftrightarrow 90% load step), excluding load line. Load slew rate $< 43.5 \text{ A/ms}$		< 10		%
Settling time	t_{SETTLE}			< 0.5		ms
Powertrain Protections						
Input Voltage Initialization threshold	$V_{IN-INIT}$	Threshold to start t_{INIT} delay	75			V
Input Voltage Reset threshold	$V_{IN-RESET}$	Latching faults will clear once V_{IN} falls below $V_{IN-RESET}$	50			V
V_{IN} undervoltage Turn-OFF	$V_{IN-UVLO-}$		130		155	V
V_{IN} undervoltage Turn-ON	$V_{IN-UVLO+}$	See Timing diagram			200	V
V_{IN} overvoltage Turn-OFF	$V_{IN-OVLO+}$				450	V
V_{IN} overvoltage Turn-ON	$V_{IN-OVLO-}$	See Timing diagram	380			V
Output overvoltage threshold	$V_{OUT-OVP}$	From 25% to 100% load. Latched shutdown. Primary sensed output voltage only	17.2			V
Output overvoltage threshold	$V_{OUT-OVP-LL}$	From 0% to 25% load. Latched shutdown. Primary sensed output voltage only	18.0			V
Minimum current limited V_{OUT}	$V_{OUT-UVP}$	Over all operating steady-state line and trim conditions			6	V
Overtemperature threshold (internal)	$T_{INT-OTP}$				125	$^{\circ}\text{C}$
Power limit	P_{LIM}				880	W
V_{IN} overvoltage to cessation of powertrain switching	$t_{OVLO-SW}$	Independent of fault logic		1		μs
V_{IN} overvoltage response time	t_{OVLO}	For fault logic only			200	μs
V_{IN} undervoltage response time	t_{UVLO}				100	ms
Short circuit response time	t_{SC}	Powertrain on, operational state			200	μs
Short circuit, or temperature fault recovery time	t_{FAULT}	See Timing diagram		1		s

Signal Specifications

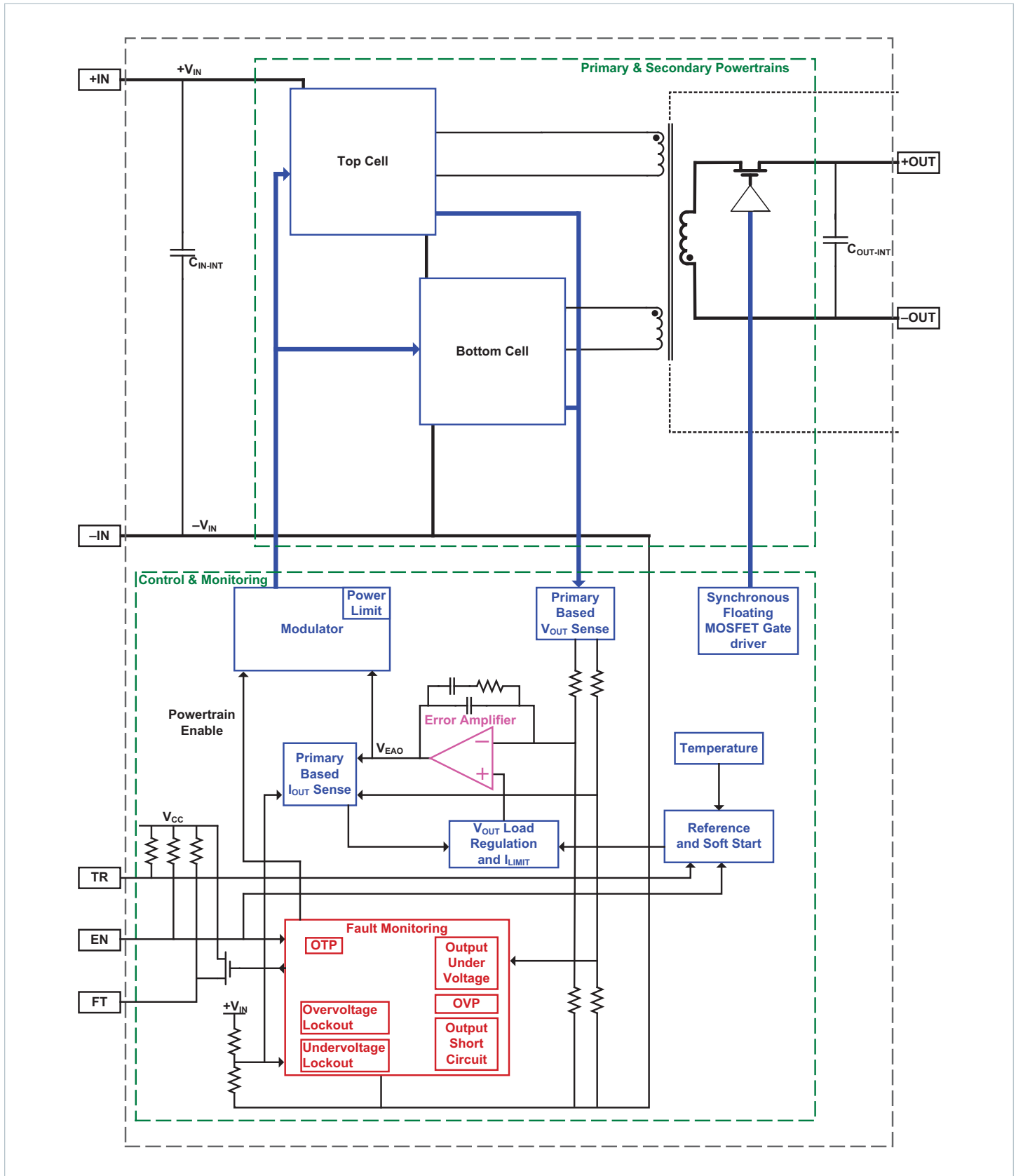
Specifications apply over all line in $V_{IN-EXTENDED}$, trim and load conditions, internal temperature $T_{INT} = 25^{\circ}\text{C}$, unless otherwise noted. **Boldface** specifications apply over the temperature range of $-40^{\circ}\text{C} < T_{INT} < 125^{\circ}\text{C}$.

Enable: EN								
<ul style="list-style-type: none"> The EN pin enables and disables the DCM converter; when held low the unit will be disabled. The EN pin has an internal pull-up to VCC and is referenced to the -IN pin of the converter. 								
SIGNAL TYPE	STATE	ATTRIBUTE	SYMBOL	CONDITIONS / NOTES	MIN	TYP	MAX	UNIT
DIGITAL INPUT	Any	EN enable threshold	$V_{ENABLE-EN}$				2.31	V
		EN disable threshold	$V_{ENABLE-DIS}$		0.99			V
		Internally generated VCC	V_{CC}		3.21	3.30	3.39	V
		EN Internal Pull up resistance to VCC	$R_{ENABLE-INT}$		9.5	10.0	10.5	k Ω

Trim: TR								
<ul style="list-style-type: none"> The TR pin enables and disables trim functionality when V_{IN} is applied to the DCM converter. When V_{in} first crosses $V_{IN-UVLO+}$, the voltage on TR determines whether or not trim is active. If TR is not floating at power up and has a voltage less than TR trim enable threshold, trim is active. If trim is active, the TR pin provides dynamic trim control with at least 30Hz of -3dB control bandwidth over the output voltage of the DCM converter. The TR pin has an internal pull-up to VCC and is referenced to the -IN pin of the converter. 								
SIGNAL TYPE	STATE	ATTRIBUTE	SYMBOL	CONDITIONS / NOTES	MIN	TYP	MAX	UNIT
DIGITAL INPUT	Startup	TR trim disable threshold	$V_{TRIM-DIS}$	Trim disabled when TR above this threshold at power up			3.20	V
		TR trim enable threshold	$V_{TRIM-EN}$	Trim enabled when TR below this threshold at power up	3.15			V
ANALOG INPUT	Operational with Trim enabled	Internally generated VCC	V_{CC}		3.21	3.30	3.39	V
		TR pin analog range	$V_{TRIM-RANGE}$	Trim V_{OUT} higher than output voltage trim range $V_{OUT-TRIMMING}$ could possibly cause output OVP	0	1.9	3.15	V
		V_{OUT} referred TR pin resolution	$V_{OUT-RES}$	With $V_{CC} = 3.3\text{ V}$		18.0		mV
		TR internal pull up resistance to VCC	$R_{TRIM-INT}$		9.5	10.0	10.5	k Ω

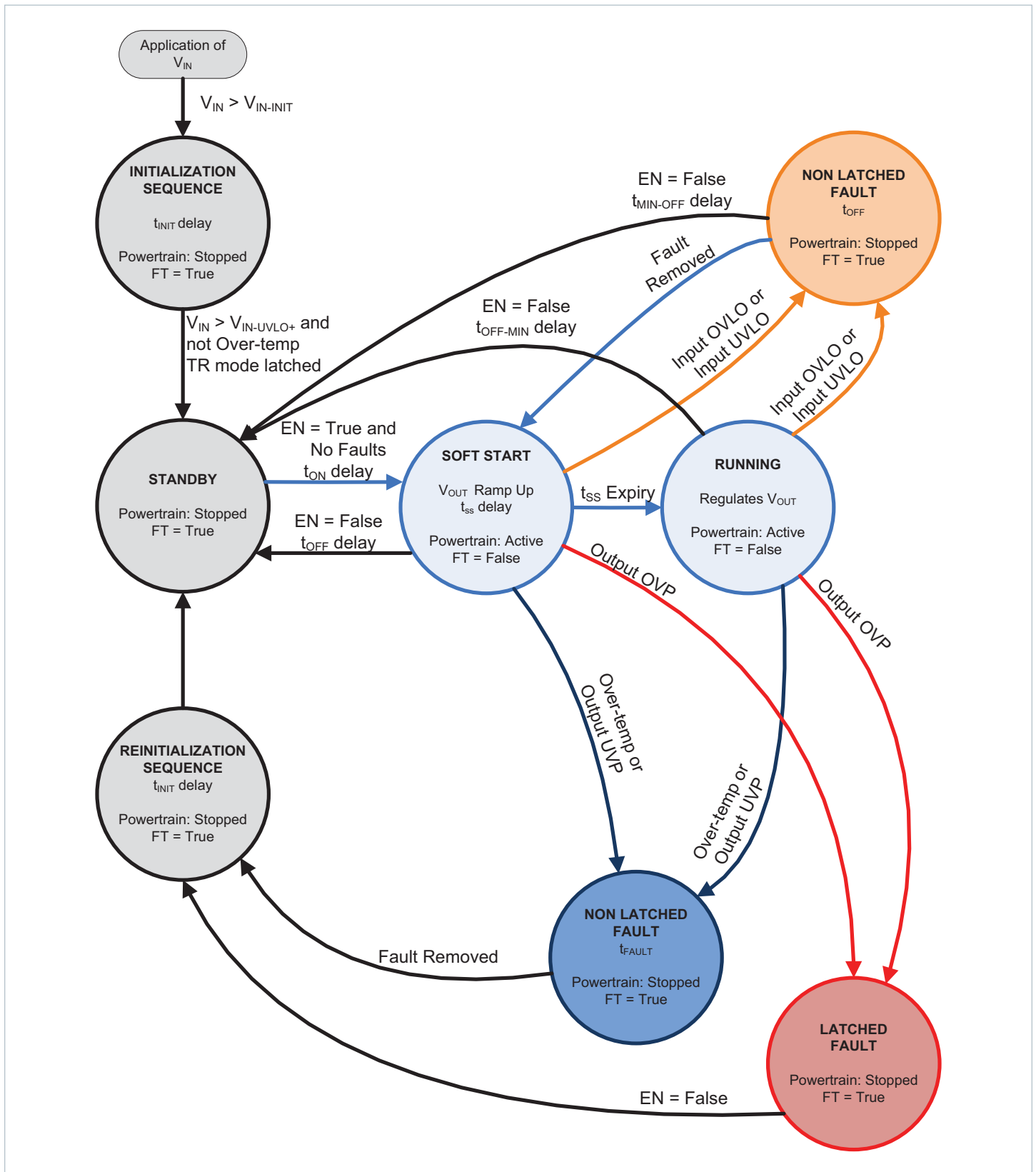
Fault: FT								
<ul style="list-style-type: none"> The FT pin is a Fault flag pin. When the module is enabled and no fault is present, the FT pin does not have current drive capability. Whenever the powertrain stops (due to a fault protection or disabling the module by pulling EN low), the FT pin output Vcc and provides current to drive an external circuit. When module starts up, the FT pin is pulled high to VCC during microcontroller initialization and will remain high until soft start process starts. 								
SIGNAL TYPE	STATE	ATTRIBUTE	SYMBOL	CONDITIONS / NOTES	MIN	TYP	MAX	UNIT
DIGITAL OUTPUT	Any	FT internal pull up resistance to VCC	$R_{FAULT-INT}$		474	499	525	k Ω
		FT Voltage	$V_{FAULT-ACTIVE}$	At rated Current drive capability	3.0			V
	FT Active	FT current drive capability	$I_{FAULT-ACTIVE}$	Over-current FT drive beyond its capability may cause module damage			4	mA
		FT response time	$t_{FT-ACTIVE}$	Delay from cessation of switching to FT Pin Active			200	μs

Functional Block Diagram



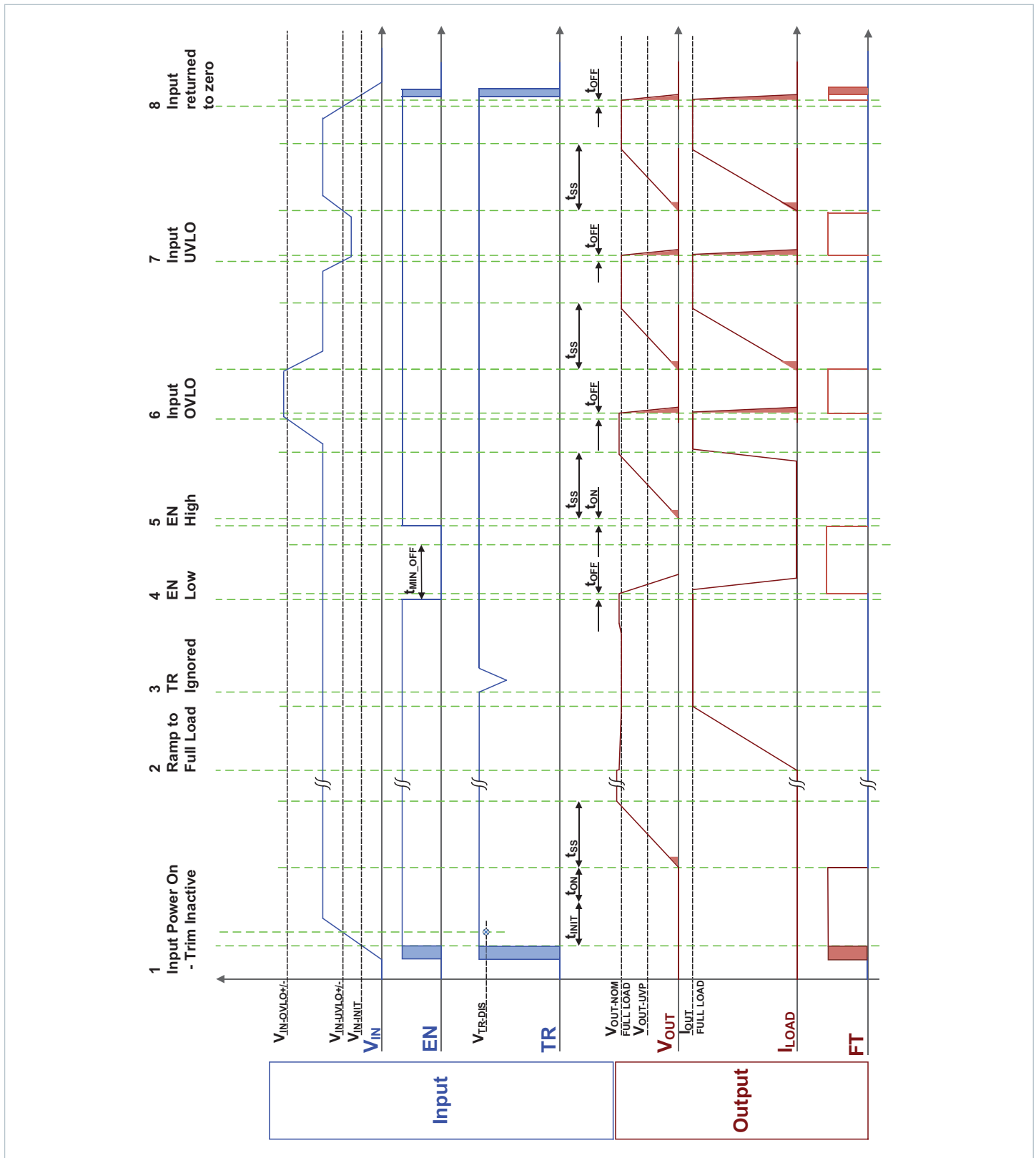
High Level Functional State Diagram

Conditions that cause state transitions are shown along arrows. Sub-sequence activities listed inside the state bubbles.



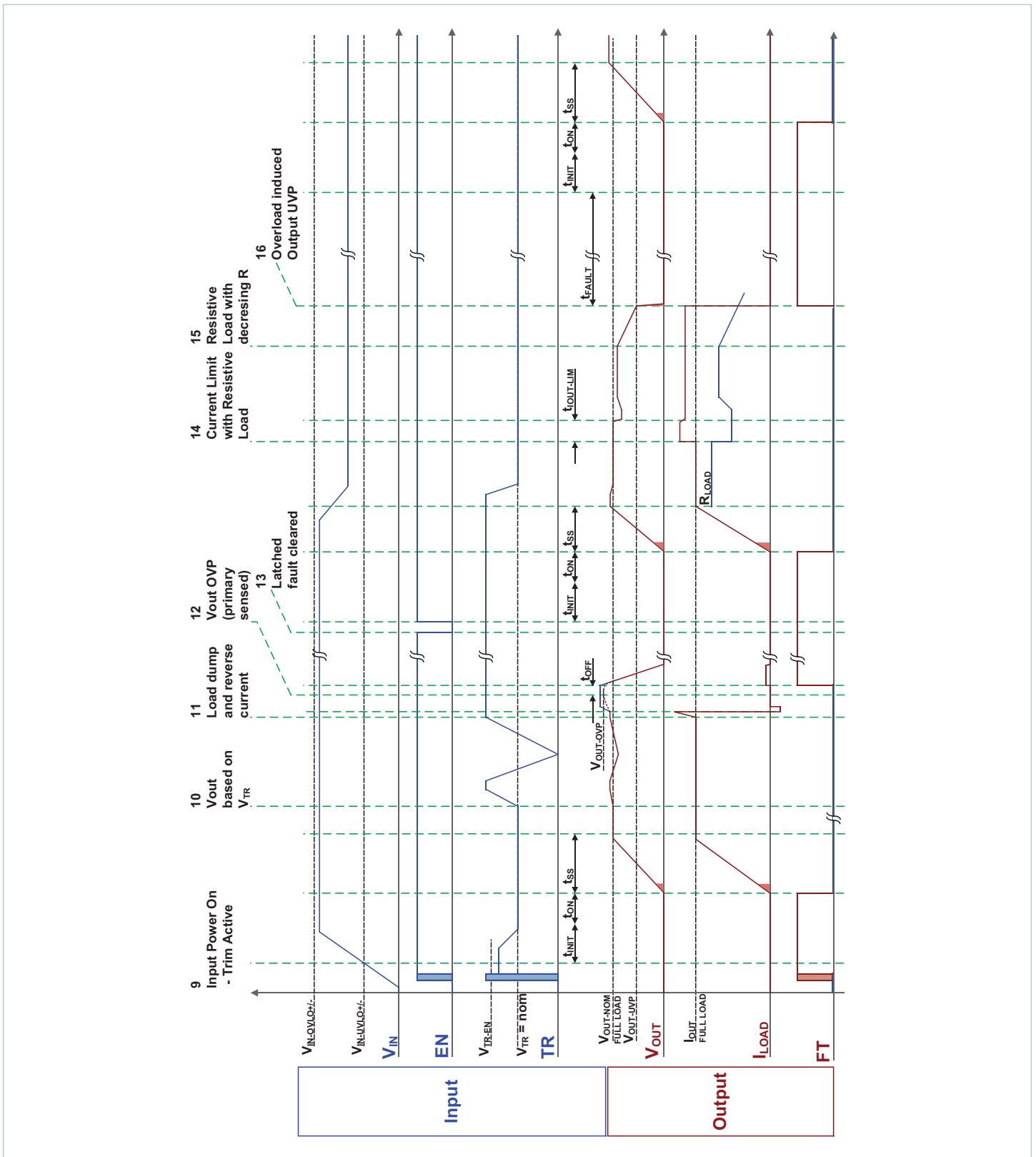
Timing Diagrams

Module Inputs are shown in blue; Module Outputs are shown in brown.



Timing Diagrams (Cont.)

Module Inputs are shown in blue; Module Outputs are shown in brown.



Typical Performance Characteristics

The following figures present typical performance at $T_C = 25^\circ\text{C}$, unless otherwise noted. See associated figures for general trend data.

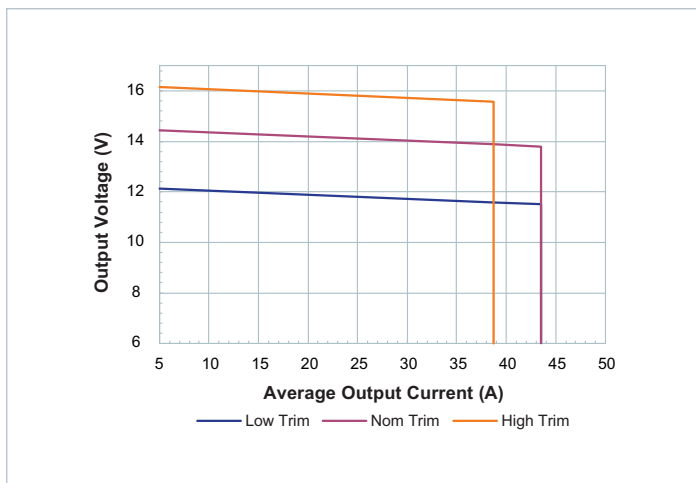


Figure 1 — Electrical Specified Operating Area

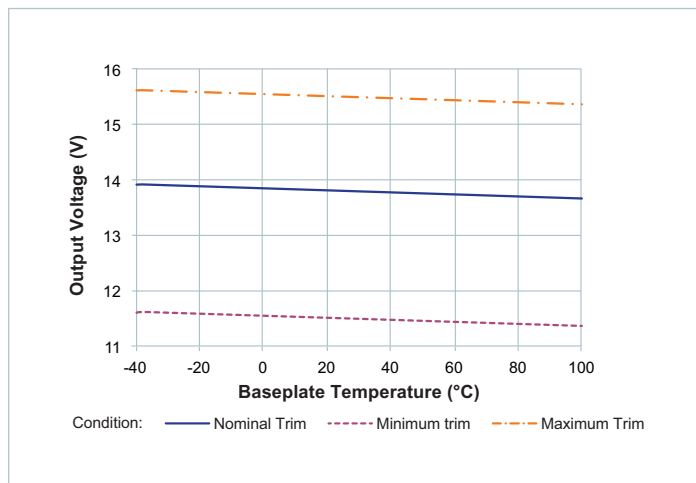


Figure 4 — V_{OUT} vs. operating temperature trend, at full load and nominal line

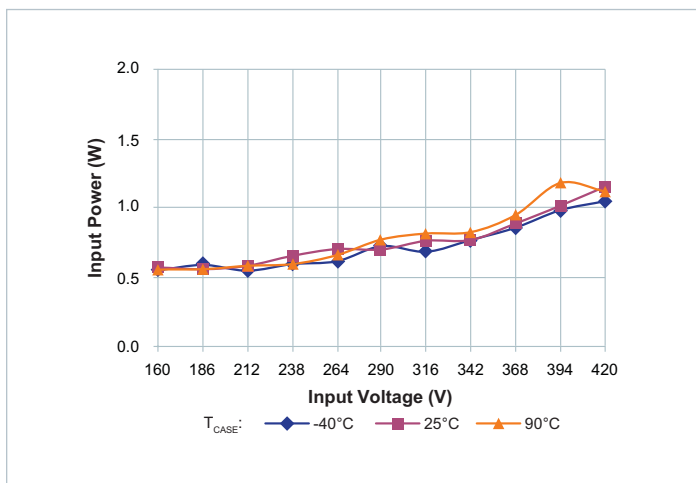


Figure 2 — Disabled power consumption vs. V_{IN}

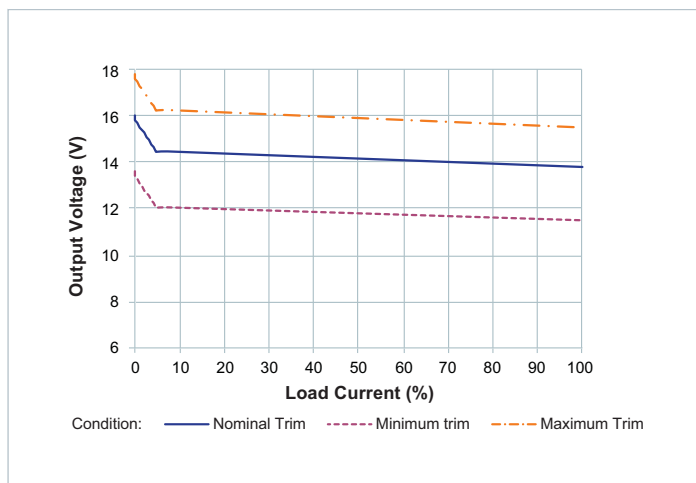


Figure 5 — V_{OUT} vs. load current trend, at room temperature and nominal line

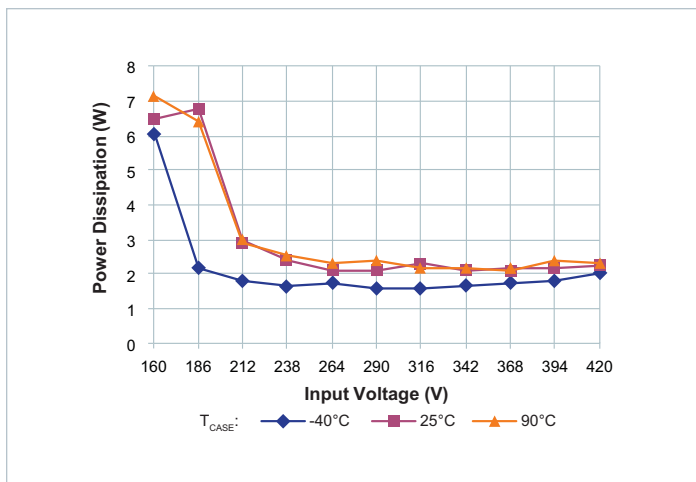


Figure 3 — No load power dissipation vs. V_{IN} at nominal trim

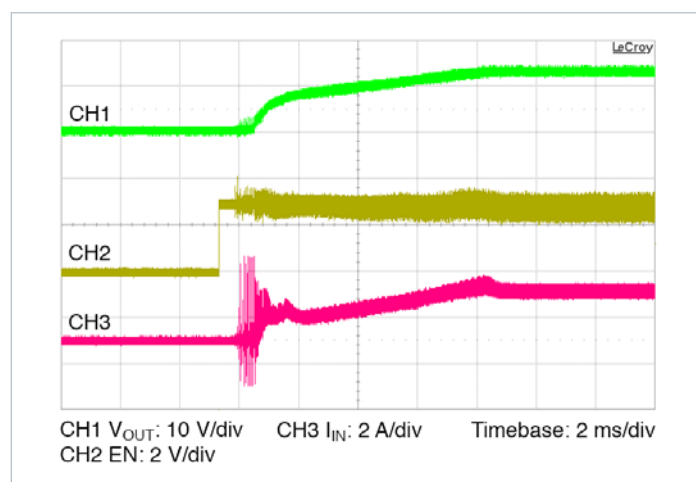


Figure 6 — Initial startup from EN pin, with soft-start ramp.
 $V_{IN} = 290\text{ V}$, $C_{OUT_EXT} = 10000\ \mu\text{F}$, $R_{LOAD} = 0.317\ \Omega$

Typical Performance Characteristics (cont.)

The following figures present typical performance at $T_C = 25^\circ\text{C}$, unless otherwise noted. See associated figures for general trend data.

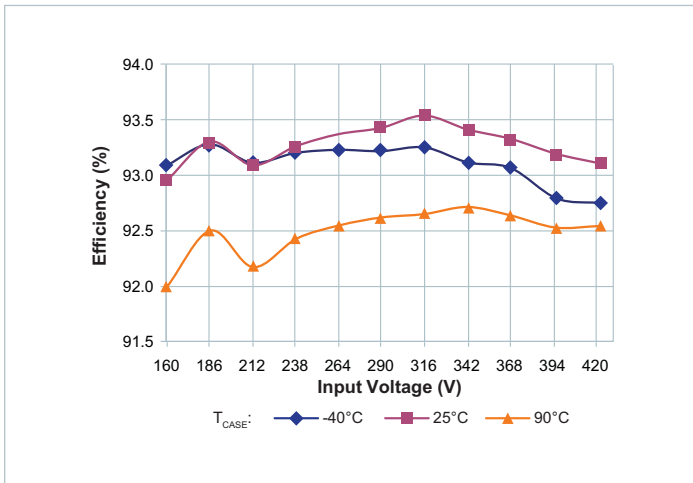


Figure 7 — Full Load Efficiency vs. V_{IN} , $V_{OUT} = 11.5\text{ V}$

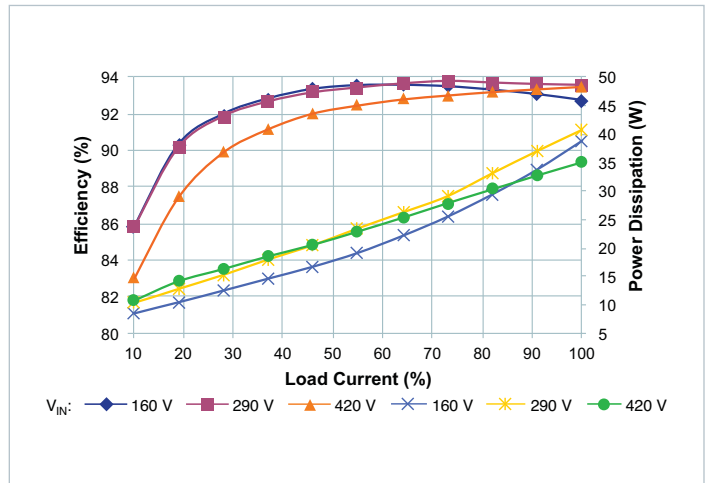


Figure 10 — V_{IN} to V_{OUT} efficiency and power dissipation vs. V_{IN} to I_{OUT} , $T_{CASE} = -40^\circ\text{C}$

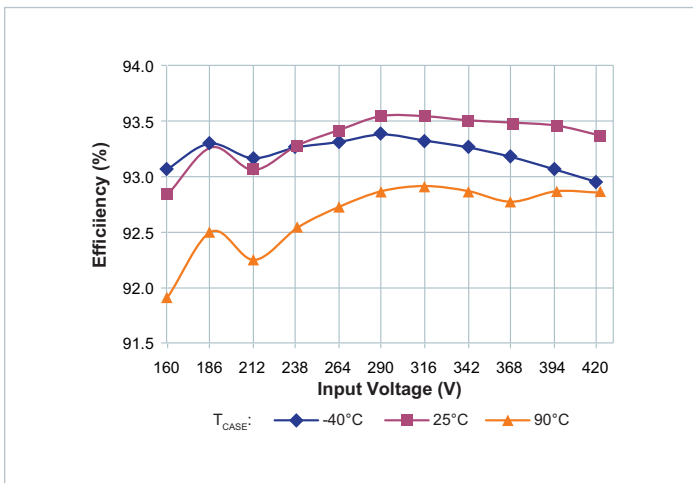


Figure 8 — Full Load Efficiency vs. V_{IN} , $V_{OUT} = 13.8\text{ V}$

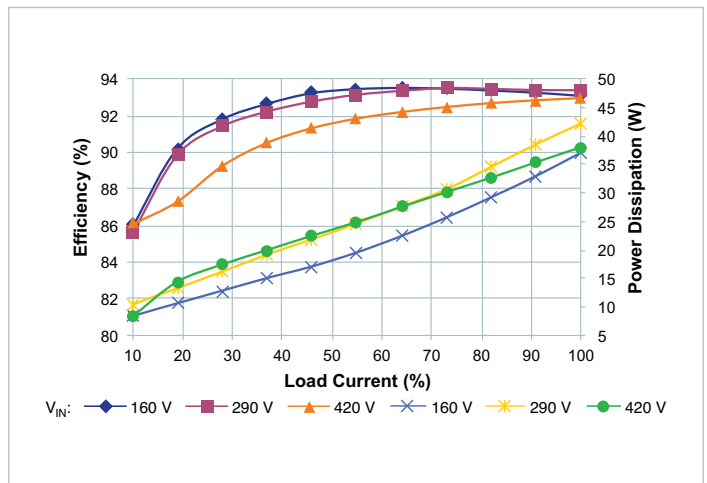


Figure 11 — V_{IN} to V_{OUT} efficiency and power dissipation vs. V_{IN} to I_{OUT} , $T_{CASE} = 25^\circ\text{C}$

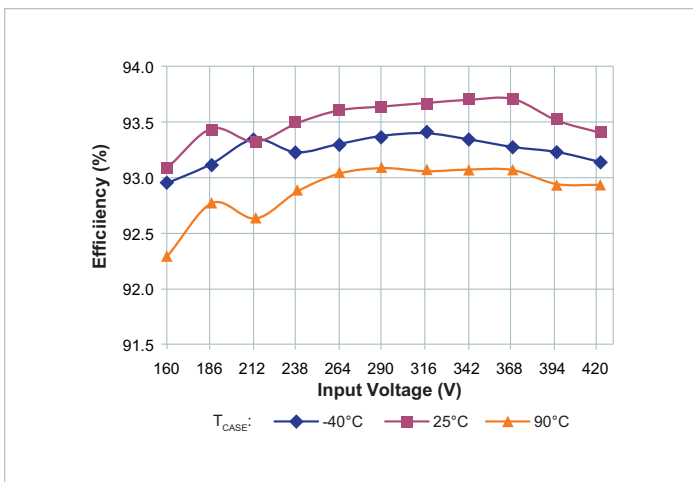


Figure 9 — Full Load Efficiency vs. V_{IN} , $V_{OUT} = 15.5\text{ V}$

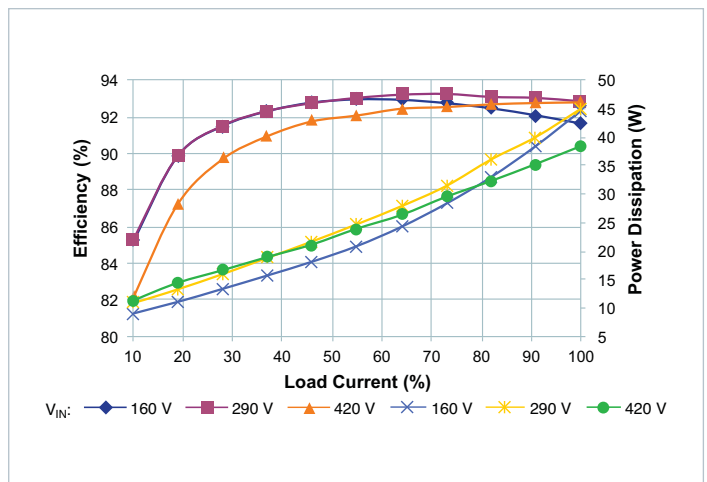


Figure 12 — V_{IN} to V_{OUT} efficiency and power dissipation vs. V_{IN} to I_{OUT} , $T_{CASE} = 90^\circ\text{C}$

Typical Performance Characteristics (cont.)

The following figures present typical performance at $T_C = 25^\circ\text{C}$, unless otherwise noted. See associated figures for general trend data.

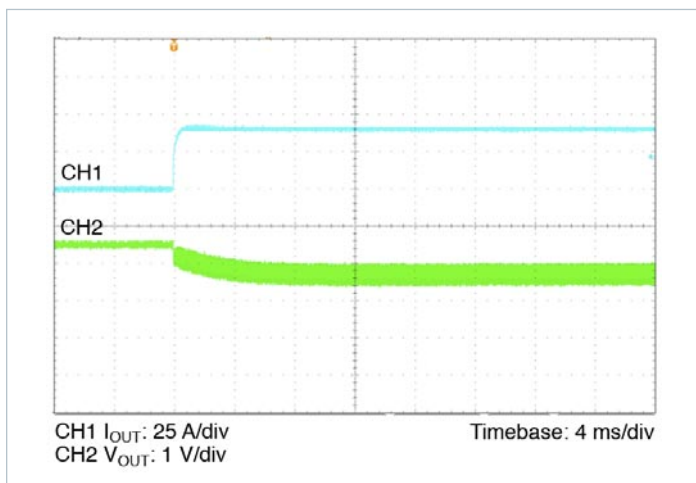


Figure 13 — 10% to 100% load transient response, $V_{IN} = 290\text{ V}$, nominal trim, $C_{OUT_EXT} = 1000\ \mu\text{F}$

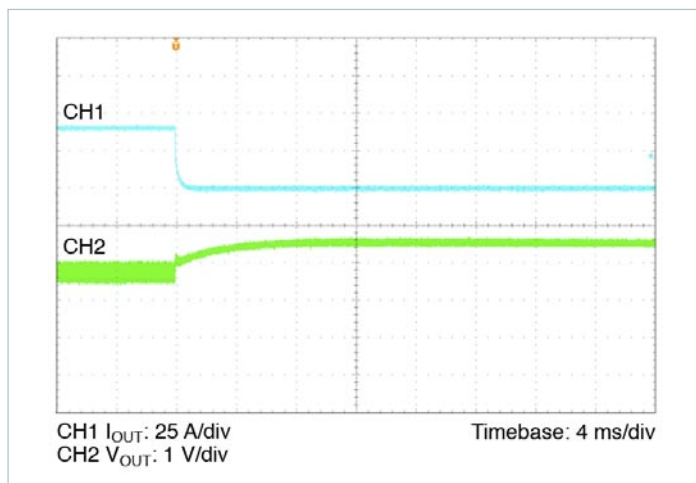


Figure 16 — 100% to 10% load transient response, $V_{IN} = 290\text{ V}$, nominal trim, $C_{OUT_EXT} = 1000\ \mu\text{F}$

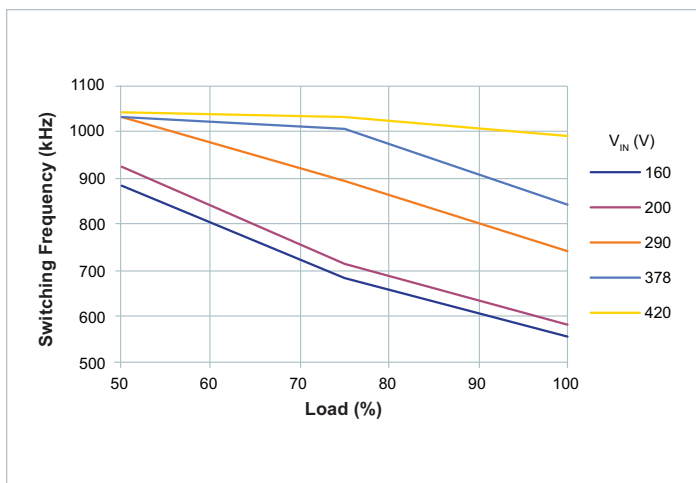


Figure 14 — Powertrain switching frequency vs. load, at nominal trim

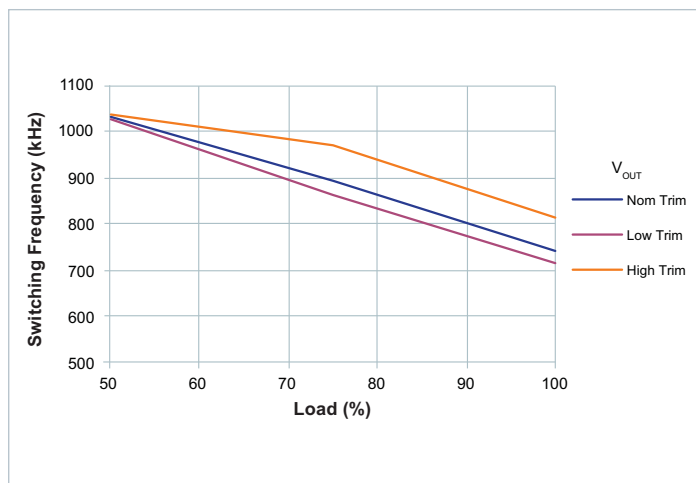


Figure 17 — Powertrain switching frequency vs. load, at nominal V_{IN}

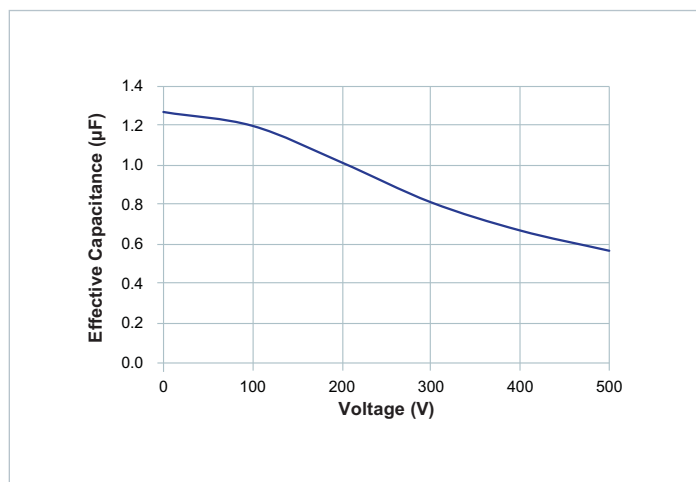


Figure 15 — Effective internal input capacitance vs. applied voltage

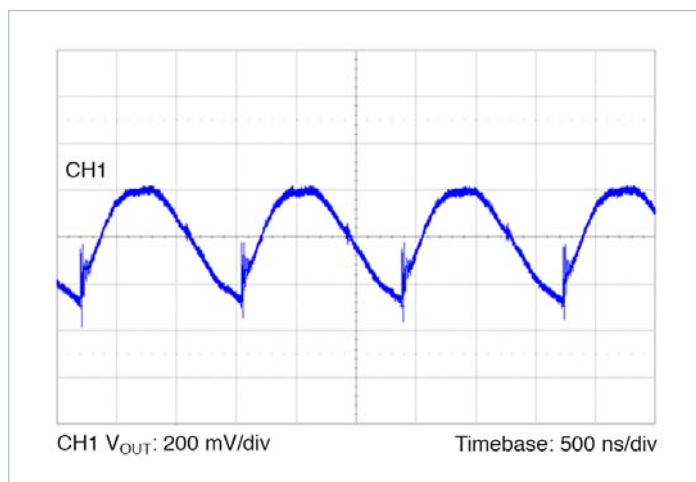


Figure 18 — Typical output voltage ripple, $V_{IN} = 290\text{ V}$, $V_{OUT} = 13.8\text{ V}$, $C_{OUT_EXT} = 1000\ \mu\text{F}$, $R_{LOAD} = 0.317\ \Omega$

General Characteristics

Specifications apply over all line in $V_{IN-EXTENDED}$, trim and load conditions, internal temperature $T_{INT} = 25^{\circ}\text{C}$, unless otherwise noted. **Boldface** specifications apply over the temperature range of $-40^{\circ}\text{C} < T_{INT} < 125^{\circ}\text{C}$.

Attribute	Symbol	Conditions / Notes	Min	Typ	Max	Unit
Mechanical						
Length	L		47.53/ [1.871]	47.91/ [1.886]	48.29/ [1.901]	mm/[in]
Width	W		22.67/ [0.893]	22.8/ [0.898]	22.93/ [0.903]	mm/[in]
Height	H		7.21/ [0.284]	7.26/ [0.286]	7.31/ [0.288]	mm/[in]
Volume	Vol	No heat sink		7.90/ [0.48]		cm ³ /[in ³]
Weight	W			29.2 / [1.03]		g/[oz]
Lead finish		Nickel	0.51		2.03	μm
		Palladium	0.02		0.15	
		Gold	0.003		0.05	
Thermal						
Operating internal temperature	T_{INT}		-40		125	°C
Thermal resistance top side	$\Phi_{INT-TOP}$	Estimated thermal resistance to maximum temperature internal component from isothermal top		1.80		°C/W
Thermal resistance leads	$\Phi_{INT-LEADS}$	Estimated thermal resistance to maximum temperature internal component from isothermal leads		5.54		°C/W
Thermal resistance bottom side	$\Phi_{INT-BOTTOM}$	Estimated thermal resistance to maximum temperature internal component from isothermal bottom		1.58		°C/W
Thermal capacity				21		Ws/°C
Assembly						
Storage temperature	T_{ST}		-40		125	°C
ESD rating	HBM	Method per Human Body Model Test ESDA/JEDEC JDS-001-2012	CLASS 1C			V
	CDM	Charged Device Model JESD22-C101E	CLASS 2			
Soldering^[1]						
Peak temperature top case		For further information, please contact factory applications			135	°C

^[1] Product is not intended for reflow solder attach.

General Characteristics (Cont.)

Specifications apply over all line in $V_{IN-EXTENDED}$, trim and load conditions, internal temperature $T_{INT} = 25^{\circ}C$, unless otherwise noted. **Boldface** specifications apply over the temperature range of $-40^{\circ}C < T_{INT} < 125^{\circ}C$.

Attribute	Symbol	Conditions / Notes	Min	Typ	Max	Unit
Safety						
Isolation Voltage	V_{HIPOT}	IN to OUT	4242			Vdc
		IN to CASE	2121			Vdc
		OUT to CASE	2121			Vdc
Reliability						
MTBF		MIL-HDBK-217 Plus Parts Count - 25°C Ground Benign, Stationary, Indoors / Computer		1.85		MHrs
		Telcordia Issue 2, Method I Case 3, 25°C, 100% D.C., GB, GC		2.35		MHrs
Agency Approvals						
Agency approvals/standards		cTÜVus; EN 60950-1				
		cURus, 60950-1				
		CE Marked for Low Voltage Directive and RoHS Recast Directive as Applicable.				

Pin Functions

+IN, -IN

Input power pins. -IN is the reference for all control pins, and therefore a Kelvin connection is recommended as close as possible to the pin on the package, to reduce effects of voltage drop due to -IN currents.

+OUT, -OUT

Output power pins.

EN (Enable)

This pin enables and disables the DCM converter; when held low the unit will be disabled. It is referenced to the -IN pin of the converter. The EN pin has an internal pull-up to V_{CC} through a 10 k Ω resistor.

- Output enable: When EN is allowed to pull up above the enable threshold, the module will be enabled. If leaving EN floating, it is pulled up to V_{CC} and the module will be enabled.
- Output disable: EN may be pulled down externally in order to disable the module.
- EN is an input only, it does not pull low in the event of a fault.
- The EN pins of multiple units should be driven high concurrently to permit the array to start in to maximum rated load. However, the direct interconnection of multiple EN pins requires additional considerations, as discussed in the section on Array Operation.

TR (Trim)

The TR pin is used to select the trim mode and to trim the output voltage of the DCM converter. The TR pin has an internal pull-up to V_{CC} through a 10 k Ω resistor.

The DCM will latch trim behavior at application of V_{IN} , and persist in that same behavior until loss of input voltage.

- At application of V_{IN} , if TR is sampled at above $V_{TRIM-DIS}$, the module will latch in a non-trim mode, and will ignore the TR input for as long as V_{IN} is present.
- At application of V_{IN} , if TR is sampled at below $V_{TRIM-EN}$, the TR will serve as an input to control real time output voltage trim. It will persist in this behavior until V_{IN} is no longer present.

If trim is active when the DCM is operating, the TR pin provides dynamic trim control at a typical 30 Hz of -3dB bandwidth over the output voltage.

FT (Fault)

The FT pin provides a Fault signal.

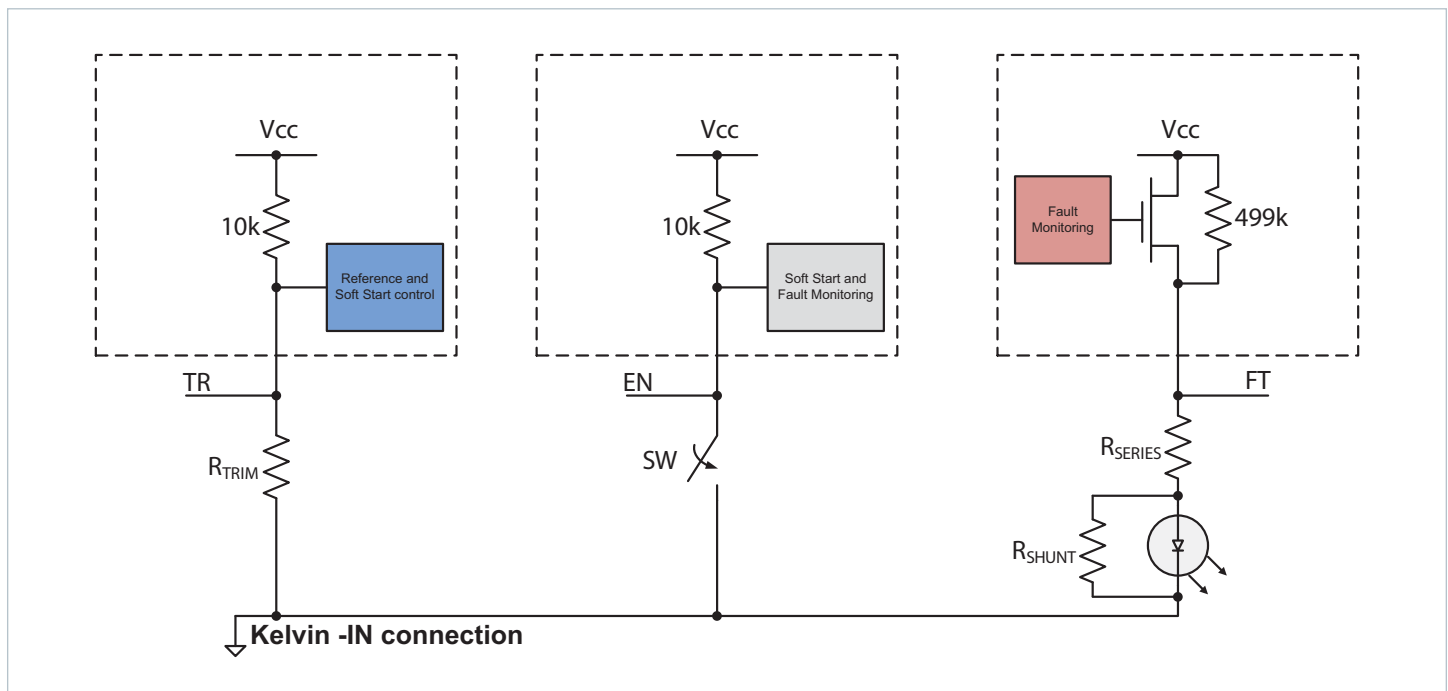
Anytime the module is enabled and has not recognized a fault, the FT pin is inactive. FT has an internal 499 k Ω pull-up to V_{CC} , therefore a shunt resistor, R_{SHUNT} , of approximately 50 k Ω can be used to ensure the LED is completely off when there is no fault, per the diagram below.

Whenever the powertrain stops (due to a fault protection or disabling the module by pulling EN low), the FT pin becomes active and provides current to drive an external circuit.

When active, FT pin drives to V_{CC} , with up to 4 mA of external loading. Module may be damaged from an over-current FT drive, thus a resistor in series for current limiting is recommended.

The FT pin becomes active momentarily when the module starts up.

Typical External Circuits for Signal Pins (TR, EN, FT)



Design Guidelines

Building Blocks and System Design

The DCM™ converter input accepts the full 160 to 420 V range, and it generates an isolated trimmable 13.8 Vdc output. Multiple DCMs may be paralleled for higher power capacity via wireless load sharing, even when they are operating off of different input voltage supplies.

The DCM converter provides a regulated output voltage around defined nominal load line and temperature coefficients. The load line and temperature coefficients enable configuration of an array of DCM converters which manage the output load with no share bus among modules. Downstream regulators may be used to provide tighter voltage regulation, if required.

The DCM290P138T600A4E may be used in standalone applications where the output power requirements are up to 600 W. However, it is easily deployed as arrays of modules to increase power handling capacity. Arrays of up to eight units have been qualified for 4800 W capacity. Application of DCM converters in an array requires no derating of the maximum available power versus what is specified for a single module.

Soft Start

When the DCM starts, it will go through a soft start sequence. **Notice the module will only startup if the input voltage is within the range of V_{IN} .** After startup, Module can then operate in the wider input voltage range $V_{IN-EXTENDED}$.

The soft start sequence ramps the output voltage by modulating the internal error amplifier reference. This causes the output voltage to approximate a piecewise linear ramp. The output ramp finishes when the voltage reaches either the nominal output voltage, or the trimmed output voltage in cases where trim mode is active.

Trim Mode and Output Trim Control

When the input voltage is initially applied to a DCM, and after T_{INIT} elapses, the trim pin voltage V_{TR} is sampled. The TR pin has an internal pull up resistor to V_{CC} , so unless external circuitry pulls the pin voltage lower, it will pull up to V_{CC} . If the initially sampled trim pin voltage is higher than $V_{TRIM-DIS}$, then the DCM will disable trimming as long as the V_{IN} remains applied. In this case, for all subsequent operation the output voltage will be programmed to the nominal. This minimizes the support components required for applications that only require the nominal rated V_{out} , and also provides the best output setpoint accuracy, as there are no additional errors from external trim components

If at initial application of V_{IN} , the TR pin voltage is prevented from exceeding $V_{TRIM-EN}$, then the DCM will activate trim mode, and it will remain active for as long as V_{IN} is applied.

V_{OUT} set point under full load and room temperature can be calculated using the equation below:

$$V_{OUT} = 10.00 + (6.48 \cdot V_{TR}/V_{CC}) \quad (1)$$

Note that while the soft-start routine described above does re-arm after the unit self-protects from a fault condition, the trim mode is not changed when a DCM recovers from any fault condition or being disabled.

If V_{TR} is driven above the point where the trimmed V_{out} reaches the maximum trimmed V_{out} range, then the V_{OUT} will hold at the maximum of the trim range, and not wrap around or return to nominal V_{OUT} .

Module performance is guaranteed through output voltage trim range $V_{OUT-TRIMMING}$. If V_{OUT} is trimmed higher than that range, then certain combinations of line and load transient conditions may trigger the output OVP.

Nominal Output Voltage Load Line

Throughout this document, the programmed output voltage, (either the specified nominal output voltage if trim is inactive) or the trimmed output voltage if trim is active, is specified at full load, and at room temperature. The actual output voltage of the DCM is given by the programmed output voltage, with modification based on load and temperature. The nominal output voltage is 13.8 V, and the actual output voltage will match this at full load and room temperature with trim inactive.

The largest modification to the actual output voltage compared to the programmed output is due to a 5.263% $V_{OUT-NOM}$ load line, which for this model corresponds to $\Delta V_{OUT-LOAD}$ of 0.73 V. As the load is reduced, the internal error amplifier reference, and by extension the output voltage, rises in response. This load line is the primary enabler of the wireless current sharing amongst an array of DCMs.

The load line impact on the output voltage is absolute, and is not scaled by the trim voltage.

Furthermore, when the load current is below 5% of the rated capacity, there is an additional ΔV added to the output voltage, which is related to Burst Mode. Please see the section on Burst Mode below for details.

For a given programmed output voltage, the actual output voltage versus load current at for nominal trim, nominal line, and room temperature is above 5% load given by the following equation:

$$V_{OUT} = 13.8 + 0.73 - 0.73 \cdot I_{OUT} / 43.5 \quad (2)$$

Nominal Output Voltage Temperature Coefficient

There is an additional additive term to the programmed output voltage, which is based on the temperature of the module. This term permits improved thermal balancing among modules in an array, especially when the factory nominal trim point is utilized (trim mode inactive). This term is much smaller than the load line described above, representing only a 0.138 V change every 75°C over the entire rated temperature range. Regulation coefficient is relative to 25°C T_{INT} (hottest internal temperature).

For nominal trim, nominal line, and full load, the output voltage relates to the temperature according to the following equation:

$$V_{OUT} = 13.8 - 0.138 \cdot (T_{INT} - 25) / 75 \quad (3)$$

where T_{INT} is in °C.

The impact of temperature coefficient on the output voltage is absolute, and does not scale with trim or load.

Overall Output Voltage Transfer Function

Taking trim (equation 1), load line (equation 2) and temperature coefficient (equation 3) into account, the general equation relating the DC V_{OUT} at nominal line to programmed trim (when active), load, and temperature is given by:

$$V_{OUT} = 10.00 + (6.48 \cdot V_{TR}/V_{CC}) + 0.73 \cdot \Delta V - 0.73 \cdot I_{OUT}/43.5 - 0.138 \cdot (T_{INT} - 25)/75 \quad (4)$$

Use 0 V for ΔV when load is from 5% to 100% load, and up to 2.3 V when operating at <5% load. See section on Burst Mode operation for light load effects on output voltage.

Output Current Limit

The DCM features a fully operational current limit which effectively keeps the module operating inside the Safe Operating Area (SOA) for all valid trim and load profiles. The current limit approximates a “brick wall” limit, where the output current is prevented from exceeding the current limit threshold by reducing the output voltage via the internal error amplifier reference. The current limit threshold at nominal trim and below is typically 105% of maximum output current, but can vary from 100% to 117% of maximum output current. In order to preserve the SOA, in cases where the converter is trimmed above the nominal output voltage, the current limit threshold is automatically reduced to limit the available output power.

When the output current exceeds the current limit threshold, current limit action is held off by 1ms, which permits the DCM to momentarily deliver higher peak output currents to the load. Peak output power during this time is still constrained by the internal Power Limit of the module. The fast Power Limit and relatively slow Current Limit work together to keep the module inside the SOA. Delaying entry into current limit also permits the DCM to minimize droop voltage for load steps.

Sustained operation in current limit is permitted, and no derating of output power is required, even in an array configuration.

Some applications may benefit from well matched current distribution, in which case fine tuning sharing via the trim pins permits control over sharing. The DCM does not require this for proper operation, due to the power limit and current limit behaviors described here.

Current limit can reduce the output voltage to as little as the UVP threshold ($V_{OUT-UVP}$). Below this minimum output voltage compliance level, further loading will cause the module to shut down due to the output undervoltage fault protection.

Line Impedance, Input Slew rate and Output Stability Requirements

Connect a high-quality, low-noise power supply to the +IN and -IN terminals. An external capacitance of 0.68uF is required. Additional capacitance may have to be added between +IN and -IN to make up for impedances in the interconnect cables as well as deficiencies in the source.

Significant source impedance can bring system stability issue for a regulated DC-DC converter and needs to be avoided or compensated. Additional information can be found in the filter design application note: www.vicorpower.com/documents/application_notes/vichip_appnote23.pdf

Please refer to this input filter design tool to ensure input stability: <http://app2.vicorpower.com/filterDesign/intiFilter.do>.

Ensure that the input voltage slew rate is less than 1V/us, otherwise a

pre-charge circuit is required for the DCM input to control the input voltage slew rate and prevent overstress to input stage components.

For the DCM, output voltage stability is guaranteed as long as hold up capacitance $C_{OUT-EXE}$ falls within the specified ranges.

Input Fuse Selection

DCM is not internally fused in order to provide flexibility in configuring power systems. Input line fusing is recommended at system level, in order to provide thermal protection in case of catastrophic failure. The fuse shall be selected by closely matching system requirements with the following characteristics:

- Current rating (usually greater than the DCM converter's maximum current)
- Maximum voltage rating (usually greater than the maximum possible input voltage)
- Ambient temperature
- Breaking capacity per application requirements
- Nominal melting I^2t
- Recommended fuse: 5A Bussmann PC-Tron (see agency approval for additional fuses)

Fault Handling

Input Undervoltage Fault Protection (UVLO)

The converter's input voltage is monitored to detect an input under voltage condition. If the converter is not already running, then it will ignore enable commands until the input voltage is greater than $V_{IN-UVLO+}$. If the converter is running and the input voltage falls below $V_{IN-UVLO-}$, the converter recognizes a fault condition, the powertrain stops switching, and the output voltage of the unit falls.

Input voltage transients which fall below UVLO for less than t_{UVLO} may not be detected by the fault protection logic, in which case the converter will continue regular operation. No protection is required in this case.

Once the UVLO fault is detected by the fault protection logic, the converter shuts down and waits for the input voltage to rise above $V_{IN-UVLO+}$. Provided the converter is still enabled, it will then restart.

Input Overvoltage Fault Protection (OVLO)

The converter's input voltage is monitored to detect an input over voltage condition. When the input voltage is more than the $V_{IN-OVLO+}$, a fault is detected, the powertrain stops switching, and the output voltage of the converter falls.

After an OVLO fault occurs, the converter will wait for the input voltage to fall below $V_{IN-OVLO-}$. Provided the converter is still enabled, the powertrain will restart.

The powertrain controller itself also monitors the input voltage. Transient OVLO events which have not yet been detected by the fault sequence logic may first be detected by the controller if the input slew rate is sufficiently large. In this case, powertrain switching will immediately stop. If the input voltage falls back in range before the fault sequence logic detects the out of range condition, the powertrain will resume switching and the fault logic will not interrupt operation. Regardless of whether the powertrain is running at the time or not, if the input voltage does not recover from OVLO before t_{OVLO} , the converter fault logic will detect the fault.

Output Undervoltage Fault Protection (UVP)

The converter determines that an output overload or short circuit condition exists by measuring its primary sensed output voltage and

the output of the internal error amplifier. In general, whenever the powertrain is switching and the primary-sensed output voltage falls below $V_{OUT-UVF}$ threshold, a short circuit fault will be registered. Once an output undervoltage condition is detected, the powertrain immediately stops switching, and the output voltage of the converter falls. The converter remains disabled for a time t_{FAULT} . Once recovered and provided the converter is still enabled, the powertrain will again enter the soft start sequence after t_{INIT} and t_{ON} .

Temperature Fault Protections (OTP)

The fault logic monitors the internal temperature of the converter. If the measured temperature exceeds $T_{INT-OTP}$, a temperature fault is registered. As with the under voltage fault protection, once a temperature fault is registered, the powertrain immediately stops switching, the output voltage of the converter falls, and the converter remains disabled for at least time t_{FAULT} . Then, the converter waits for the internal temperature to return to below $T_{INT-OTP}$ before recovering. Provided the converter is still enabled, the DCM will restart after t_{INIT} and t_{ON} .

Output Overvoltage Fault Protection (OVP)

The converter monitors the output voltage during each switching cycle by a corresponding voltage reflected to the primary side control circuitry. If the primary sensed output voltage exceeds $V_{OUT-OVP}$, the OVP fault protection is triggered. The control logic disables the powertrain, and the output voltage of the converter falls.

This type of fault is latched, and the converter will not start again until the latch is cleared. Clearing the fault latch is achieved by either disabling the converter via the EN pin, or else by removing the input power such that the input voltage falls below $V_{IN-INIT}$.

External Output Capacitance

The DCM converter compensation requires a minimal external capacitor on the output for proper operation and for good transient load regulation. An external capacitor of 1000 uF to 10,000 uF per DCM is required with ESR of 10 mΩ or greater.

Burst Mode

Under light load conditions, the DCM converter may operate in burst mode depending on the line voltage. Burst mode occurs whenever the internal power consumption of the converter combined with the external output load is less than the minimum power transfer per switching cycle. To prevent the output voltage from rising in this case, the powertrain is switched off and on repeatedly, to effectively lower the average switching frequency, and permit operation with no external load. During the time when the power train is off, the module internal consumption is significantly reduced, and so there is a notable reduction in no-load input power in burst mode. When the load is less than 5% of rated I_{out} , the output voltage may rise by a maximum of 2.3 V, above the output voltage calculated from trim, temperature, and load-line conditions.

Thermal Design

Based on the safe thermal operating area shown in page 5, the full rated power of the DCM290P138T600A4E can be processed provided that the top, bottom, and leads are all held below 80°C. These curves highlight the benefits of dual sided thermal management, but also demonstrate the flexibility of the Vicor ChiP platform for customers who are limited to cooling only the top or the bottom surface.

The OTP sensor is located on the top side of the internal PCB structure. Therefore in order to ensure effective over-temperature

fault protection, the case bottom temperature must be constrained by the thermal solution such that it does not exceed the temperature of the case top.

The ChiP package provides a high degree of flexibility in that it presents three pathways to remove heat from internal power dissipating components. Heat may be removed from the top surface, the bottom surface and the leads. The extent to which these three surfaces are cooled is a key component for determining the maximum power that is available from a ChiP, as can be seen from Figure 19.

Since the ChiP has a maximum internal temperature rating, it is necessary to estimate this internal temperature based on a real thermal solution. Given that there are three pathways to remove heat from the ChiP, it is helpful to simplify the thermal solution into a roughly equivalent circuit where power dissipation is modeled as a current source, isothermal surface temperatures are represented as voltage sources and the thermal resistances are represented as resistors. Figure 19 shows the "thermal circuit" for a 4623 ChiP DCM in an application where the top, bottom, and leads are cooled. In this case, the DCM power dissipation is PD_{TOTAL} and the three surface temperatures are represented as T_{CASE_TOP} , T_{CASE_BOTTOM} , and T_{LEADS} . This thermal system can now be very easily analyzed with simple resistors, voltage sources, and a current source.

This analysis provides an estimate of heat flow through the various pathways as well as internal temperature.

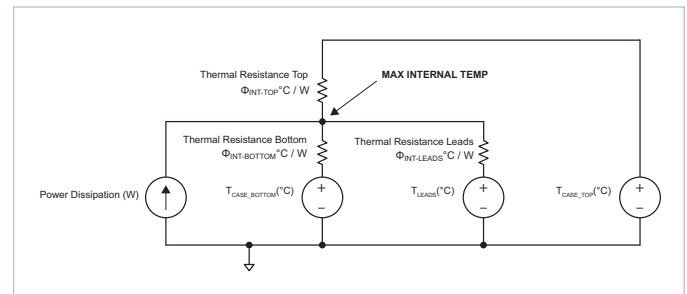


Figure 19 — Double side cooling and leads thermal model

Alternatively, equations can be written around this circuit and analyzed algebraically:

$$T_{INT} - PD_1 \cdot \Phi_{INT-TOP} = T_{CASE_TOP}$$

$$T_{INT} - PD_2 \cdot \Phi_{INT-BOTTOM} = T_{CASE_BOTTOM}$$

$$T_{INT} - PD_3 \cdot \Phi_{INT-LEADS} = T_{LEADS}$$

$$PD_{TOTAL} = PD_1 + PD_2 + PD_3$$

Where T_{INT} represents the internal temperature and PD_1 , PD_2 , and PD_3 represent the heat flow through the top side, bottom side, and leads respectively.

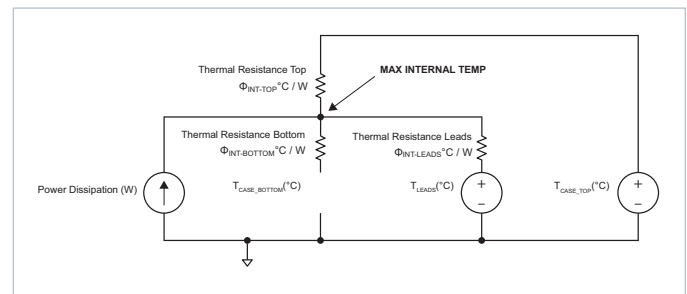


Figure 20 — One side cooling and leads thermal model

Figure 20 shows a scenario where there is no bottom side cooling. In this case, the heat flow path to the bottom is left open and the equations now simplify to:

$$T_{INT} - PD_1 \cdot \Phi_{INT-TOP} = T_{CASE_TOP}$$

$$T_{INT} - PD_3 \cdot \Phi_{INT-LEADS} = T_{LEADS}$$

$$PD_{TOTAL} = PD_1 + PD_3$$

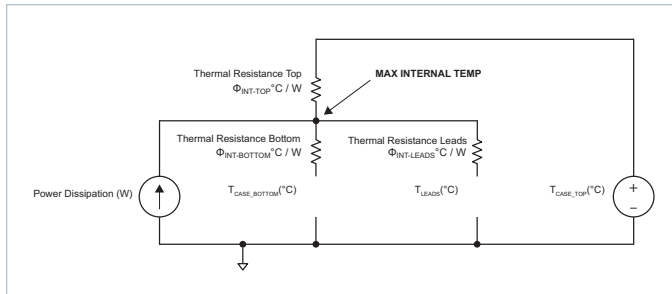


Figure 21 — One side cooling thermal model

Figure 21 shows a scenario where there is no bottom side and leads cooling. In this case, the heat flow path to the bottom is left open and the equations now simplify to:

$$T_{INT} - PD_1 \cdot \Phi_{INT-TOP} = T_{CASE_TOP}$$

$$PD_{TOTAL} = PD_1$$

Vicor provides a suite of online tools, including a simulator and thermal estimator which greatly simplify the task of determining whether or not a DCM thermal configuration is sufficient for a given condition. These tools can be found at: www.vicorpower.com/powerbench.

Array Operation

A decoupling network is needed to facilitate paralleling:

- An output inductor should be added to each DCM, before the outputs are bussed together to provide decoupling.
- Each DCM needs a separate input filter, even if the multiple DCMs share the same input voltage source. These filters limit the ripple current reflected from each DCM, and also help suppress generation of beat frequency currents that can result when multiple powertrains input stages are permitted to directly interact.

If signal pins (TR, EN, FT) are not used, they can be left floating, and DCM will work in the nominal output condition.

When common mode noise in the input side is not a concern, TR and EN can be driven and FT received using the -IN as a reference.

An example of DCM paralleling circuit is shown in Figure 22.

Recommended values to start with:

- L1:** L1 = 1 uH, minimized DCR;
- R1:** 1 Ohm;
- C1:** Ceramic capacitors in parallel, C1 = 2 uF;
- L2:** L2 ≥ 0.15 uH;
- C3:** electrolytic or tantalum capacitor, 1000 uF ≤ C3 ≤ 10000 uF;
- C4, C5:** additional ceramic /electrolytic capacitors, if needed for output ripple filtering;

R3: current limit resistor for fault pin, a resistor of at least 1 k is recommended;

In order to help sensitive signal circuits reject potential noise, additional components are recommended:

R2: 301 Ohm, facilitate noise attenuation for TR pin;

FB1, C2: FB1 is a ferrite bead with an impedance of at least 10 Ω at 100MHz. **C2** can be a ceramic capacitor of 0.1uF. Facilitate noise attenuation for EN pin.

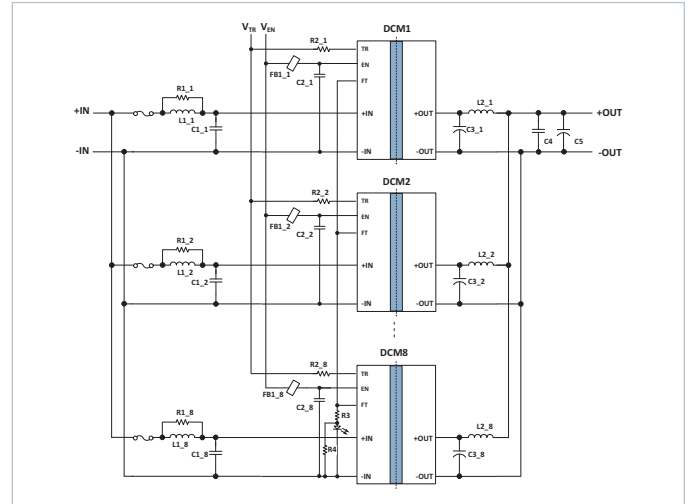


Figure 22 — DCM paralleling configuration circuit 1

When common mode noise rejection in the input side is needed, common modes choke can be added in the input side of each DCM. An example of DCM paralleling circuit is shown below:

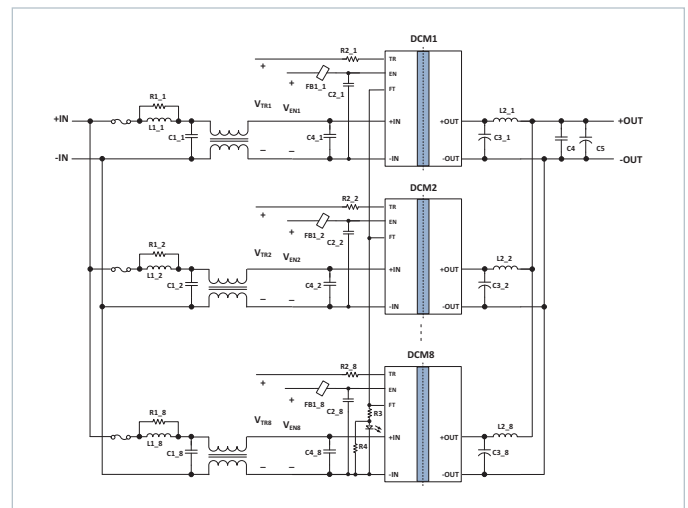


Figure 23 — DCM paralleling configuration circuit 2

Notice that each group of control pins need to be individually driven and isolated from the other groups control pins. This is because -IN of each DCM can be at a different voltage due to the common mode chokes. Attempting to share control pin circuitry could lead to incorrect behavior of the DCMs.

An array of DCMs used at the full array rated power may generally have one or more DCMs operating at current limit, due to sharing errors. Load sharing is functionally managed by the load line. Thermal balancing is improved by the nominal effective temperature coefficient of the output voltage setpoint.

DCMs in current limit will operate with higher output current or power than the rated levels. Therefore the following Thermal Safe Operating Area plot should be used for array use, or loads that drive the DCM in to current limit for sustained operation. Top side only cooling is not recommended for array or current limit operation.

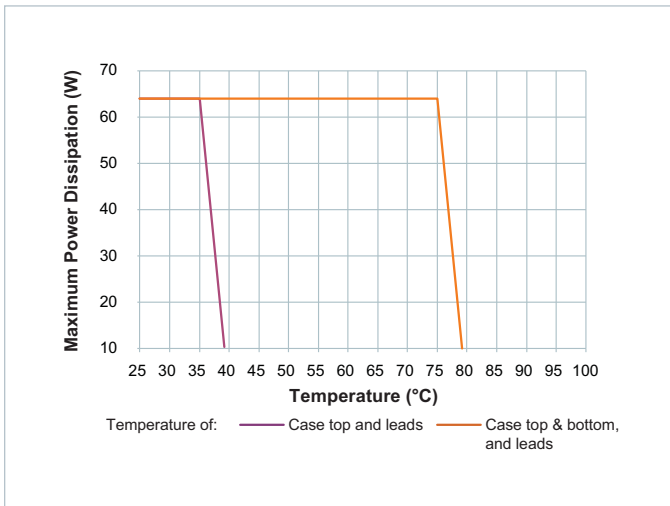
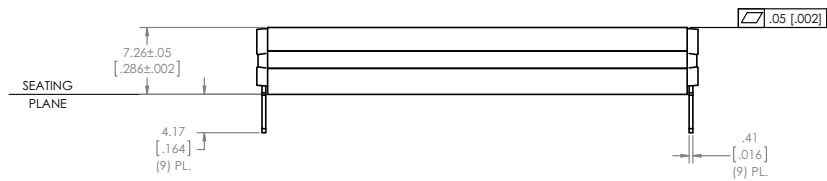
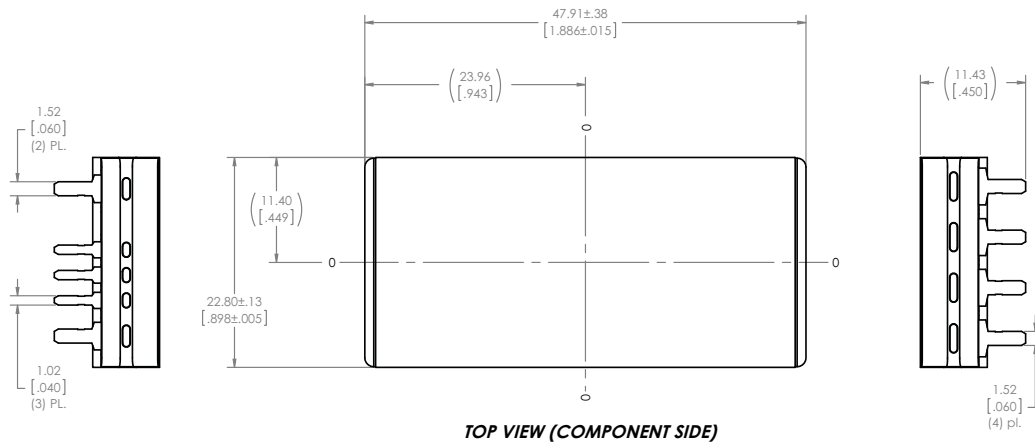
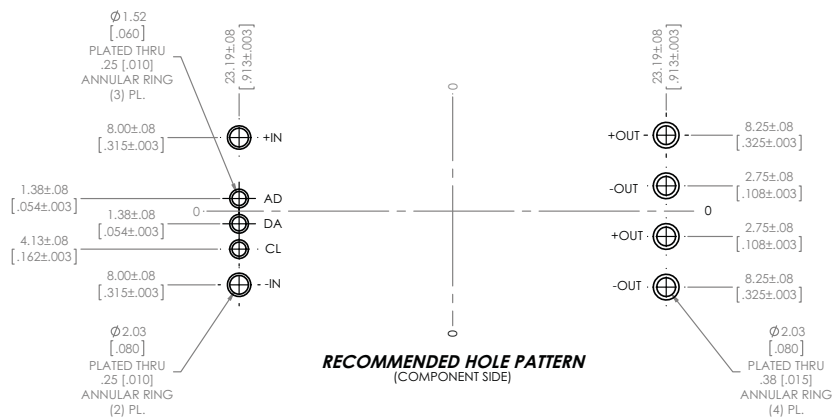
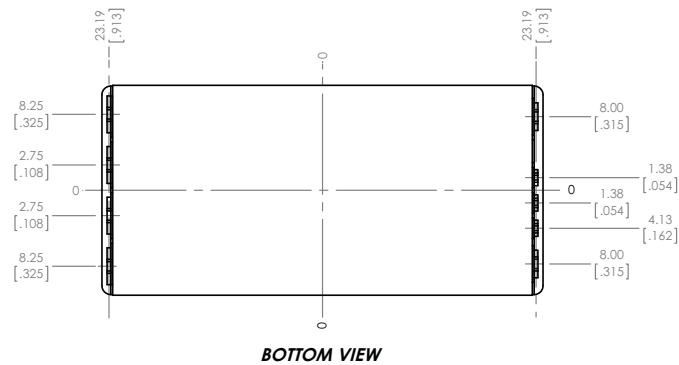


Figure 24 — Maximum Power Dissipation for Array or Current Limit Operation

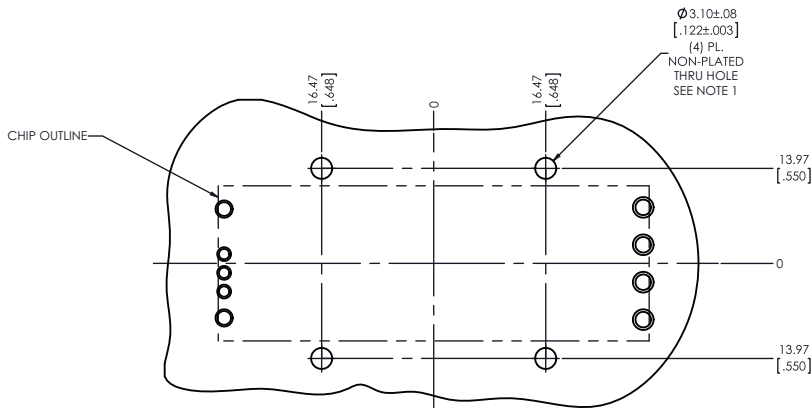
DCM Module Product Outline Drawing Recommended PCB Footprint and Pinout



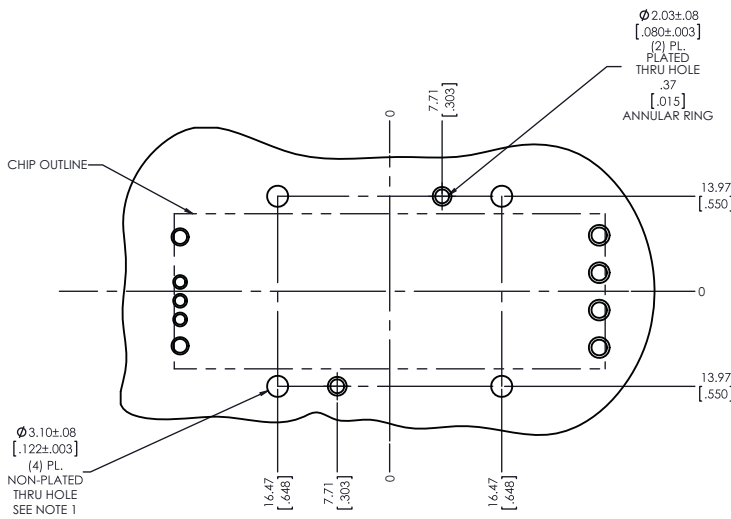
NOTES:
1- RoHS COMPLIANT PER CST-0001 LATEST REVISION.



Recommended PCB Footprint for 4623 DCM with Top-side or Dual Heatsink



6123 AND 4623
 RECOMMENDED LAND PATTERN
 (NO GROUNDING CLIPS)
 TOP SIDE SHOWN
 APPLIES TO BOTH THRU HOLE
 AND SURFACE MOUNT DEVICES



6123 AND 4623
 RECOMMENDED LAND PATTERN
 (GROUNDING CLIPS)
 TOP SIDE SHOWN
 APPLIES TO BOTH THRU HOLE
 AND SURFACE MOUNT DEVICES

- NOTES:
1. MAINTAIN 3.50 [0.138] DIA. KEEP-OUT ZONE FREE OF COPPER, ALL PCB LAYERS.
 2. RoHS COMPLIANT PER CST-0001 LATEST REVISION.
 3. UNLESS OTHERWISE SPECIFIED:
 DIMENSIONS ARE MM [INCH].
 TOLERANCES ARE:
 X.X [X.XX] = ±0.3 [0.01]
 X.XX [X.XXX] = ±0.13 [0.005]

Vicor's comprehensive line of power solutions includes high density AC-DC and DC-DC modules and accessory components, fully configurable AC-DC and DC-DC power supplies, and complete custom power systems.

Information furnished by Vicor is believed to be accurate and reliable. However, no responsibility is assumed by Vicor for its use. Vicor makes no representations or warranties with respect to the accuracy or completeness of the contents of this publication. Vicor reserves the right to make changes to any products, specifications, and product descriptions at any time without notice. Information published by Vicor has been checked and is believed to be accurate at the time it was printed; however, Vicor assumes no responsibility for inaccuracies. Testing and other quality controls are used to the extent Vicor deems necessary to support Vicor's product warranty. Except where mandated by government requirements, testing of all parameters of each product is not necessarily performed.

Specifications are subject to change without notice.

Vicor's Standard Terms and Conditions

All sales are subject to Vicor's Standard Terms and Conditions of Sale, which are available on Vicor's webpage or upon request.

Product Warranty

In Vicor's standard terms and conditions of sale, Vicor warrants that its products are free from non-conformity to its Standard Specifications (the "Express Limited Warranty"). This warranty is extended only to the original Buyer for the period expiring two (2) years after the date of shipment and is not transferable.

UNLESS OTHERWISE EXPRESSLY STATED IN A WRITTEN SALES AGREEMENT SIGNED BY A DULY AUTHORIZED VICOR SIGNATORY, VICOR DISCLAIMS ALL REPRESENTATIONS, LIABILITIES, AND WARRANTIES OF ANY KIND (WHETHER ARISING BY IMPLICATION OR BY OPERATION OF LAW) WITH RESPECT TO THE PRODUCTS, INCLUDING, WITHOUT LIMITATION, ANY WARRANTIES OR REPRESENTATIONS AS TO MERCHANTABILITY, FITNESS FOR PARTICULAR PURPOSE, INFRINGEMENT OF ANY PATENT, COPYRIGHT, OR OTHER INTELLECTUAL PROPERTY RIGHT, OR ANY OTHER MATTER.

This warranty does not extend to products subjected to misuse, accident, or improper application, maintenance, or storage. Vicor shall not be liable for collateral or consequential damage. Vicor disclaims any and all liability arising out of the application or use of any product or circuit and assumes no liability for applications assistance or buyer product design. Buyers are responsible for their products and applications using Vicor products and components. Prior to using or distributing any products that include Vicor components, buyers should provide adequate design, testing and operating safeguards.

Vicor will repair or replace defective products in accordance with its own best judgment. For service under this warranty, the buyer must contact Vicor to obtain a Return Material Authorization (RMA) number and shipping instructions. Products returned without prior authorization will be returned to the buyer. The buyer will pay all charges incurred in returning the product to the factory. Vicor will pay all reshipment charges if the product was defective within the terms of this warranty.

Life Support Policy

VICOR'S PRODUCTS ARE NOT AUTHORIZED FOR USE AS CRITICAL COMPONENTS IN LIFE SUPPORT DEVICES OR SYSTEMS WITHOUT THE EXPRESS PRIOR WRITTEN APPROVAL OF THE CHIEF EXECUTIVE OFFICER AND GENERAL COUNSEL OF VICOR CORPORATION. As used herein, life support devices or systems are devices which (a) are intended for surgical implant into the body, or (b) support or sustain life and whose failure to perform when properly used in accordance with instructions for use provided in the labeling can be reasonably expected to result in a significant injury to the user. A critical component is any component in a life support device or system whose failure to perform can be reasonably expected to cause the failure of the life support device or system or to affect its safety or effectiveness. Per Vicor Terms and Conditions of Sale, the user of Vicor products and components in life support applications assumes all risks of such use and indemnifies Vicor against all liability and damages.

Intellectual Property Notice

Vicor and its subsidiaries own Intellectual Property (including issued U.S. and Foreign Patents and pending patent applications) relating to the products described in this data sheet. No license, whether express, implied, or arising by estoppel or otherwise, to any intellectual property rights is granted by this document. Interested parties should contact Vicor's Intellectual Property Department.

The products described on this data sheet are protected by the following U.S. Patents Numbers: RE40,072; 7,561,446; 7,920,391; 7,782,639; 8,427,269; 6,421,262 and other patents pending.

Vicor Corporation
25 Frontage Road
Andover, MA, USA 01810
Tel: 800-735-6200
Fax: 978-475-6715

email

Customer Service: custserv@vicorpower.com
Technical Support: apps@vicorpower.com