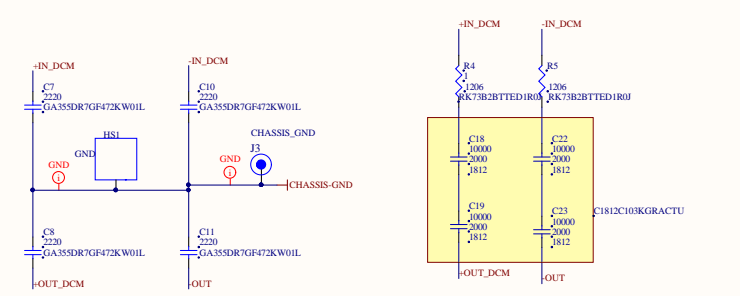
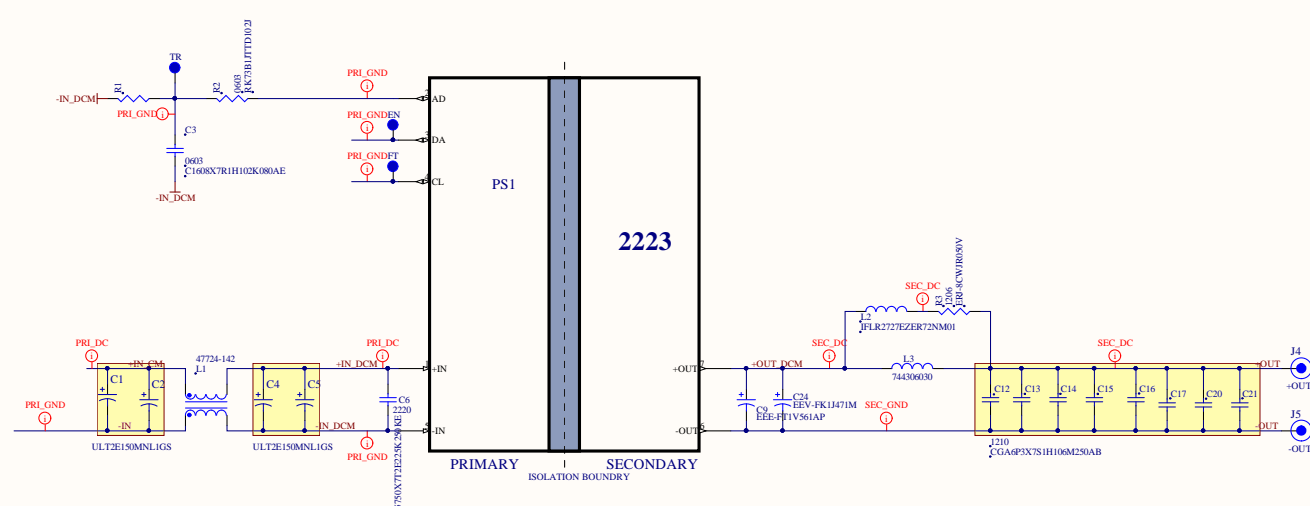
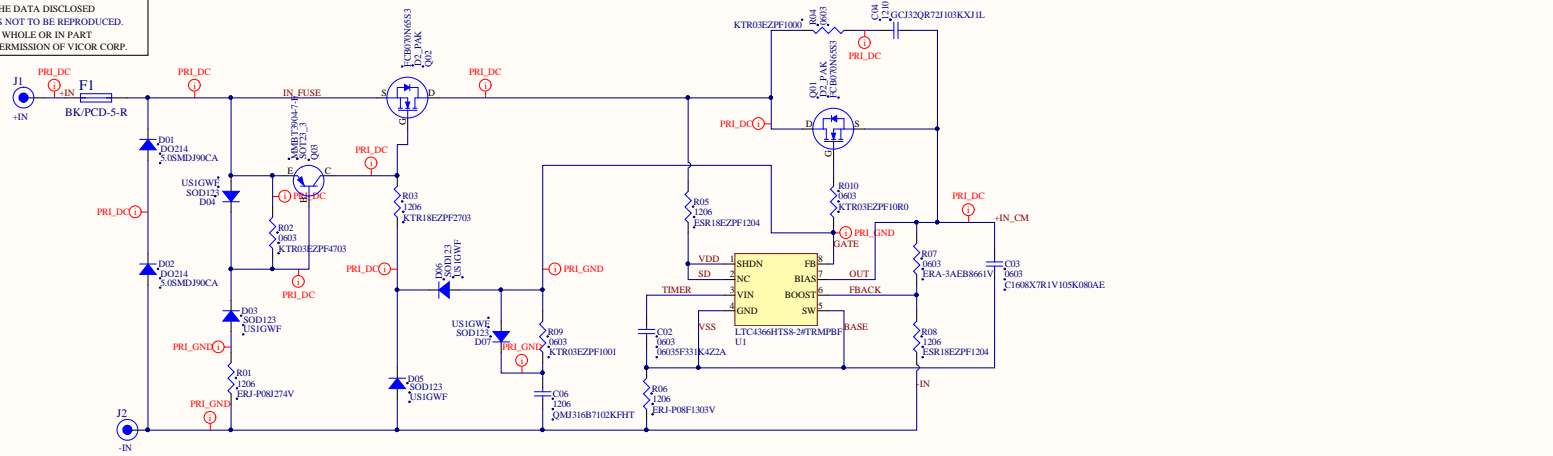


VICOR CONFIDENTIAL

THIS DOCUMENT AND THE DATA DISCLOSED HEREIN OR HEREWITH IS NOT TO BE REPRODUCED, USED, OR DISCLOSED IN WHOLE OR IN PART TO ANYONE WITHOUT PERMISSION OF VICOR CORP.

REV	DESCRIPTION	DATE	APPROVED
#1	REL. FOR ENG.	10/18/19	VD



A

SCHEMATIC
2322 Rail Ref Board

APPLICATION: Altium Designer	SIZE: C	FSCM NO. 67131	DWG NO. 2322 Rail Ref BD	REV #1
FILENAME: H:\Altium\PCB\TMAP\2322_Rail_Ref_Board_SCH1.SCHDOC				
DRAWN: Vamsli Domadala	DATE: 10/18/19	SCALE: scale	SHEET 1 OF 1	